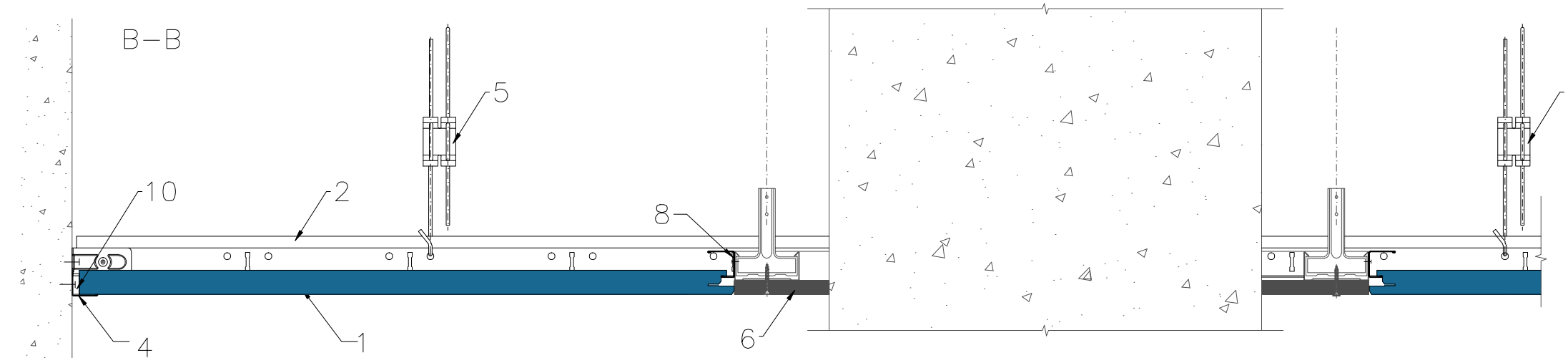
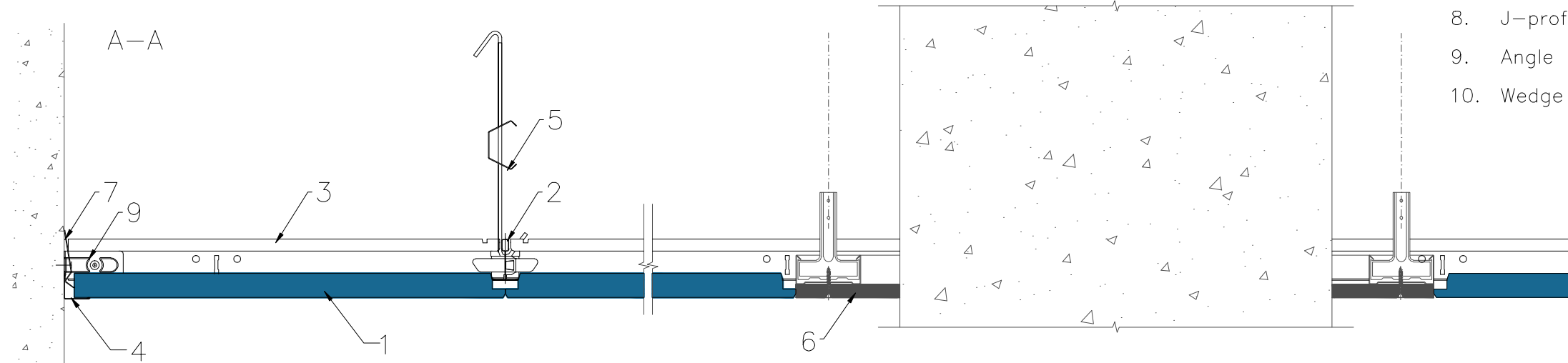


1. Tile ROCKFON, edge X
2. Mainrunner T24 C/H38 3600 white
3. Cross Tee T24 C38 1800 white
4. Wall Angle 24/24 3050 white
5. Adjustable hanger
6. Gypsum Frieze
7. SMF clamp
8. J-profile 20x3050 white
9. Angle bracket for coff frame
10. Wedge



All screws and other fastenings shown are indicative and illustrative only.
Specific fasteners should be chosen dependent on substrates and materials being used.

Information:
Pillars – square gypsum fillout around the pillar

Date:
10.05.2014

Drawing Type:

Drawing No.:
7.1.3.Columns

Drawn by:

Scale:
1:5

Contact Information:

We kindly draw your attention to the fact that the above drawings should be considered as guidelines and therefore are without responsibility on the part of Rockfon.

Rockfon
ROCKWOOL