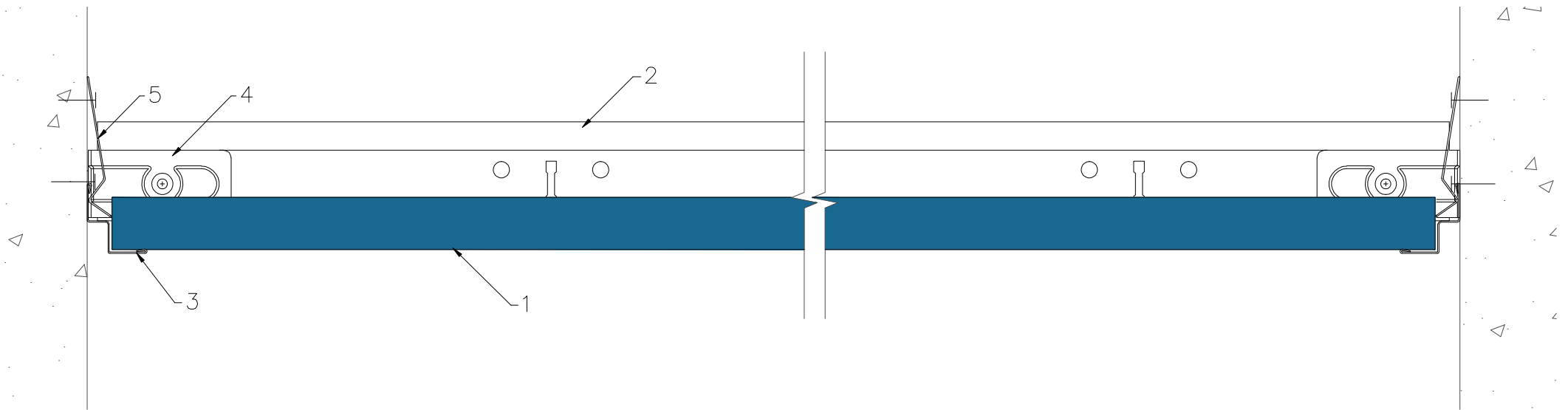


A-A

1. Tile ROCKFON, edge D
2. Mainrunner T24 C/H38 3600 white
3. Shadow trim RFN 0812
4. Angle bracket for coff frame
5. SMF clamp



All screws and other fastenings shown are indicative and illustrative only.
 Specific fasteners should be chosen dependent on substrates and materials being used.

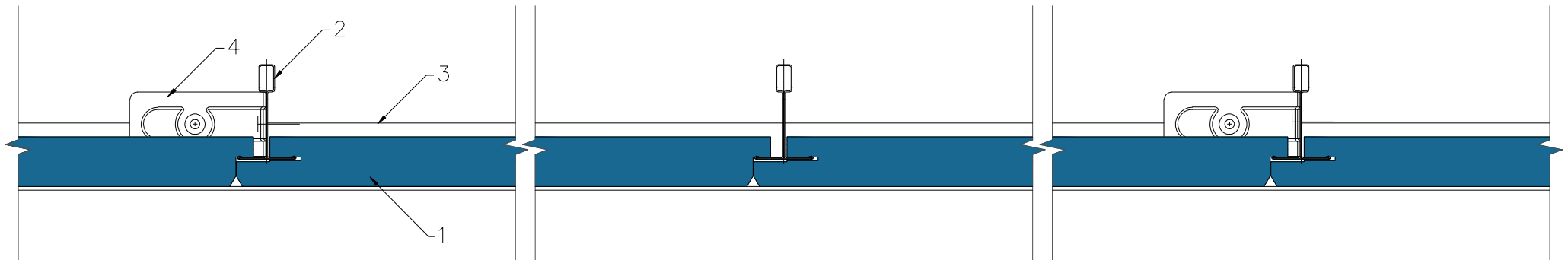
Information: Corridor D-edge 1800x600x20 Shadow trim	Date: 28.03.2014		Drawing Type:	
	Drawing No.: 23.1.1.Corridors		Drawn by:	Scale: 1:2
	Contact Information:			

We kindly draw your attention to the fact that the above drawings should be considered as guidelines and therefore are without responsibility on the part of Rockfon.






B-B



1. Tile ROCKFON, edge D1/D2
2. Mainrunner T24 C/H38 3600 white
3. Shadow trim RFN0812
4. Angle bracket for coff frame

All screws and other fastenings shown are indicative and illustrative only.
 Specific fasteners should be chosen dependent on substrates and materials being used.

Information: Corridor D-edge 1800x600x20 Shadow trim We kindly draw your attention to the fact that the above drawings should be considered as guidelines and therefore are without responsibility on the part of Rockfon.	Date: 28.03.2014		Drawing Type:		
	Drawing No.: 23.1.1.Corridors		Drawn by:	Scale: 1:2	
	Contact Information:				