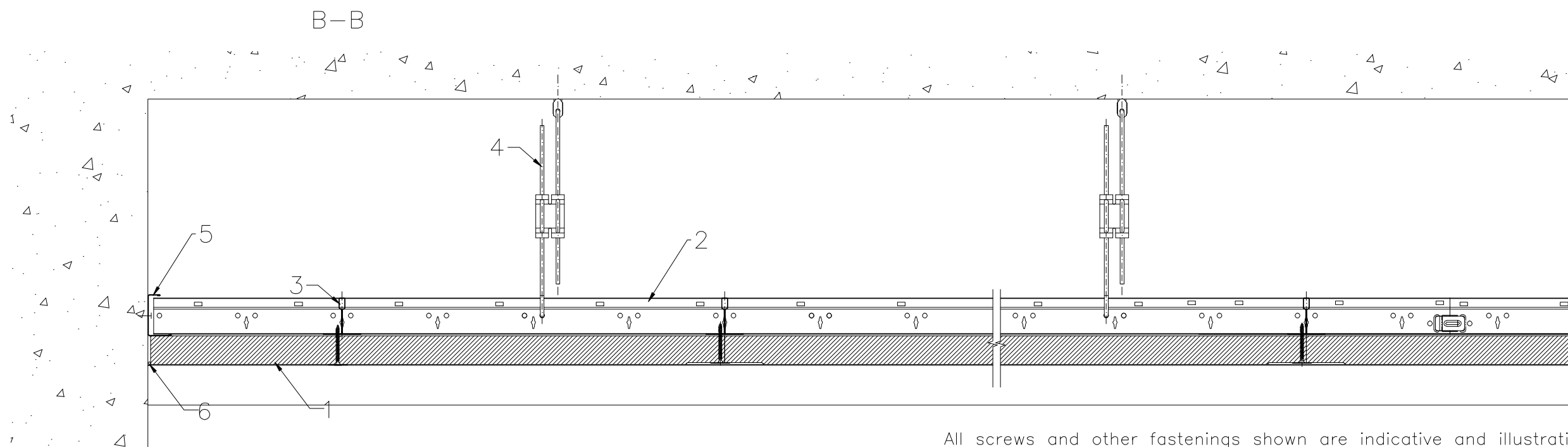
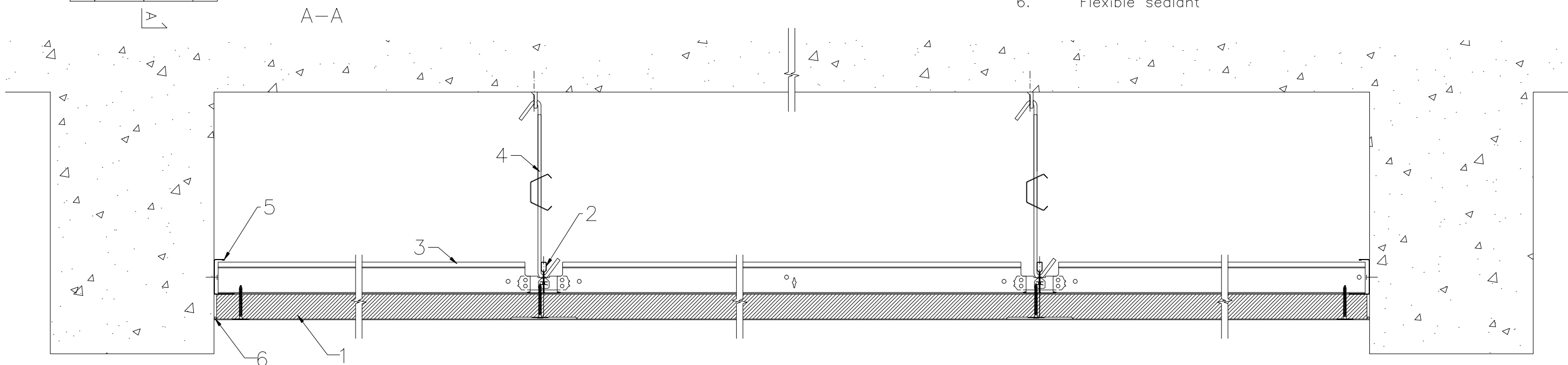


1. Tile ROCKFON MONO
2. Main runner Rapid fix 3700mm
3. Cross tee Rapid fix 1200mm
4. Adjustable hanger
5. C-profil Rapid fix
6. Flexible sealant



All screws and other fastenings shown are indicative and illustrative only. Specific fasteners should be chosen dependent on substrates and materials being used.

Information:
Beams – square beams Mono System

Date:

Drawing Type:

Drawing No.:

Drawn by:

Scale:

1:5

Contact Information:

We kindly draw your attention to the fact that the above drawings should be considered as guidelines and therefore are without responsibility on the part of Rockfon.