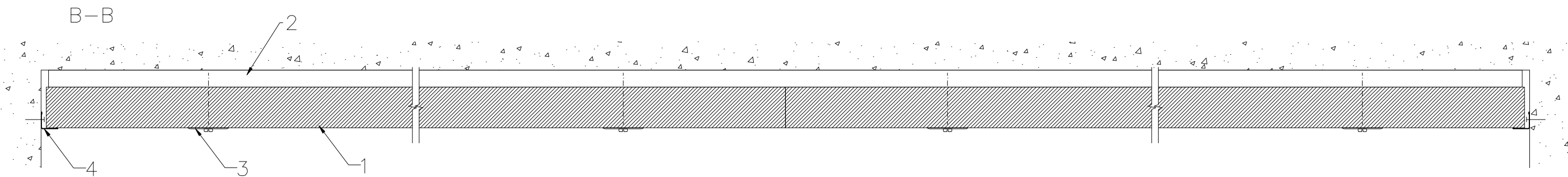
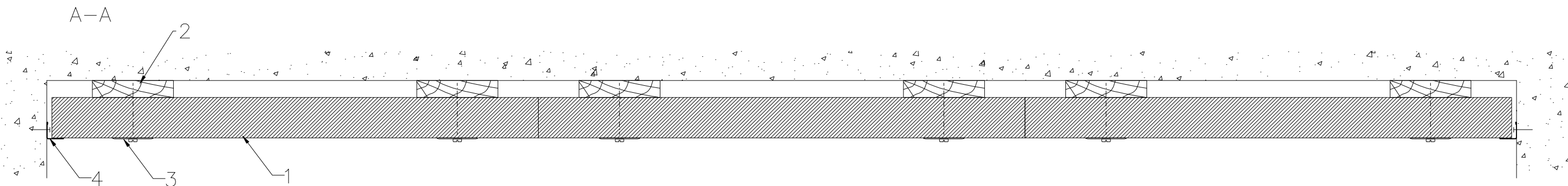
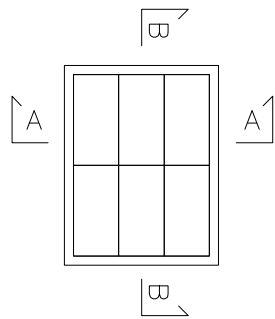


1. Tile ROCKFON INDUSTRIAL 1200x600x50mm
2. Wooden lath – optional
3. Screw washers
4. Perimeter angle trim – optional



All screws and other fastenings shown are indicative and illustrative only. Specific fasteners should be chosen dependent on substrates and materials being used.

| | | | | |
|--|-----------------------------|--|----------------------|----------------------|
| Information: Ceiling height – Industrial ceiling | Date: | | Drawing Type: | |
| | Drawing No.: | | Drawn by: | Scale: 1:5 |
| | Contact Information: | | | |

We kindly draw your attention to the fact that the above drawings should be considered as guidelines and therefore are without responsibility on the part of Rockfon.

