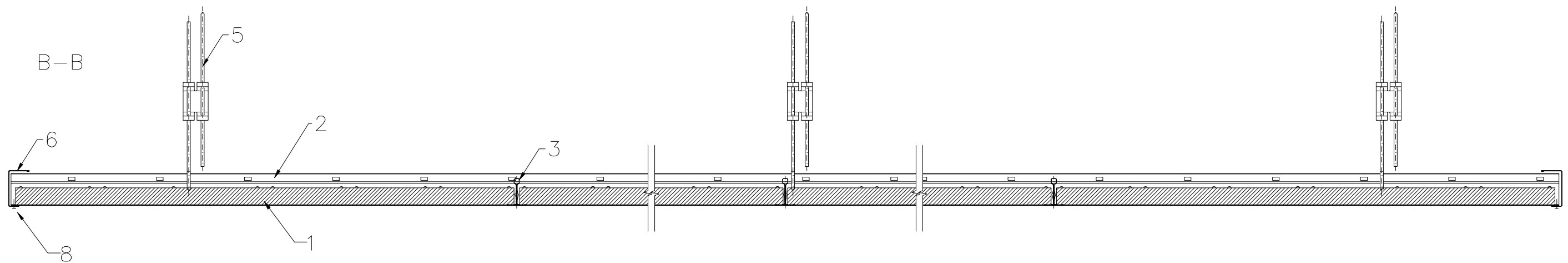
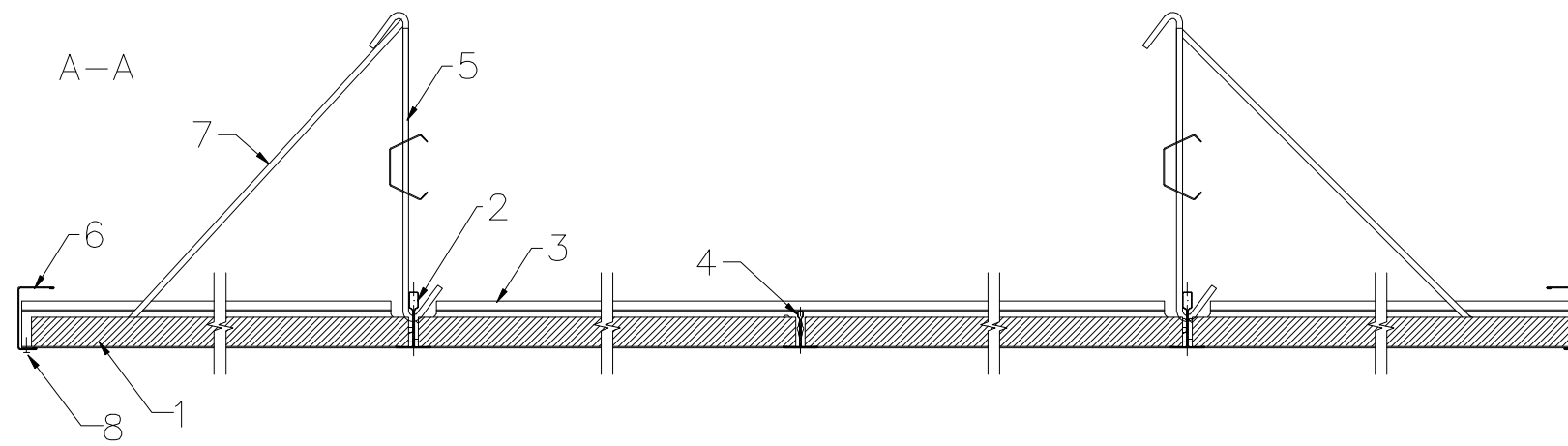


1. Tile ROCKFON SONAR A
2. Main runner DX24 3700mm
3. Cross tee DX24 1200mm
4. Cross tee DX24 600mm
5. Adjustable hanger
6. U profile
7. Support for cross tee
8. Fastenings per 600 mm



All screws and other fastenings shown are indicative and illustrative only.
Specific fasteners should be chosen dependent on substrates and materials being used.

Information:
Ceiling height – A-edge island with U profile

Date:

Drawing Type:

Drawing No.:

Drawn by:

Scale:

1:5

Contact Information:

We kindly draw your attention to the fact that the above drawings should be considered as guidelines and therefore are without responsibility on the part of Rockfon.