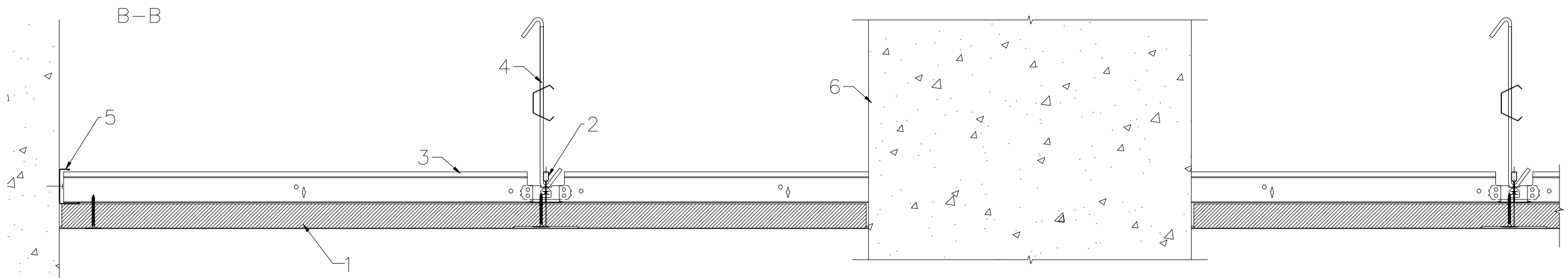
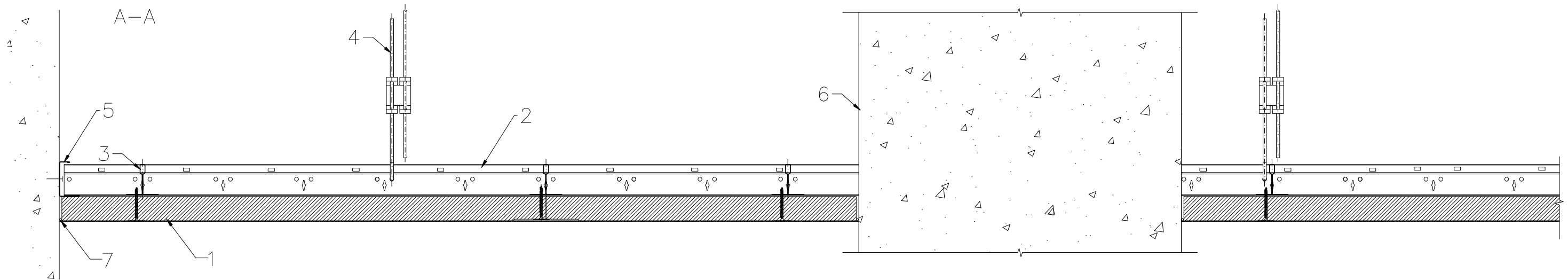


1. Tile ROCKFON MONO
2. Main runner Rapid fix 3700mm
3. Cross tee Rapid fix 1200mm
4. Adjustable hanger
5. C-profil Rapid fix
6. Pillar
7. Flexible sealant



All screws and other fastenings shown are indicative and illustrative only.
Specific fasteners should be chosen dependent on substrates and materials being used.

Information: Pillars – Mono System	
We kindly draw your attention to the fact that the above drawings should be considered as guidelines and therefore are without responsibility on the part of Rockfon.	

Date:	Drawing Type:	
Drawing No.:	Drawn by:	Scale: 1:5
Contact Information:		

