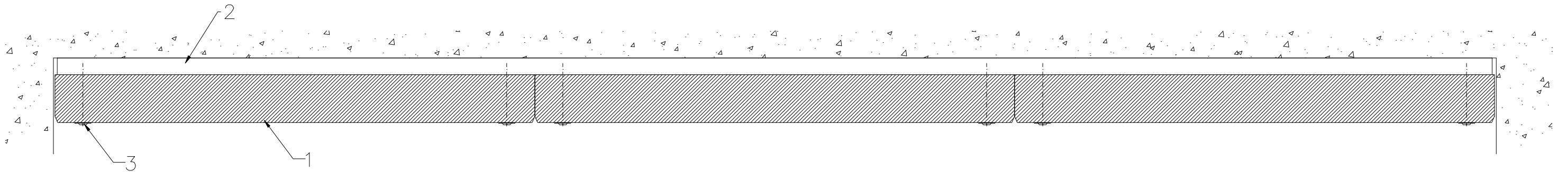
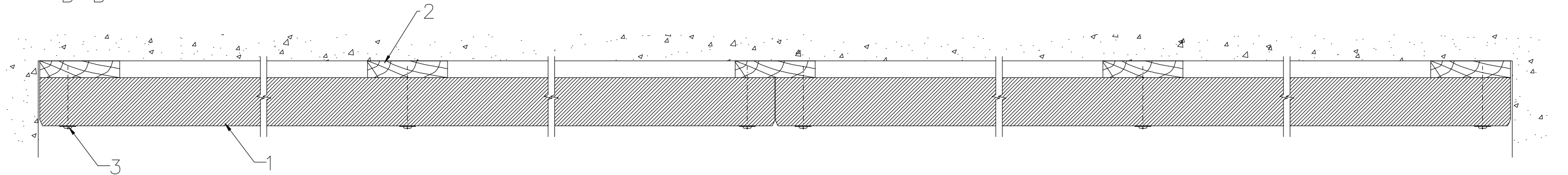


1. Tile ROCKFON COSMOS 1200x600x60mm
2. Wooden lath
3. Cosmos screw

A-A



B-B



All screws and other fastenings shown are indicative and illustrative only.
Specific fasteners should be chosen dependent on substrates and materials being used.

Information: Ceiling height – Cosmos System	
We kindly draw your attention to the fact that the above drawings should be considered as guidelines and therefore are without responsibility on the part of Rockfon.	

Date:		Drawing Type:	
Drawing No.:		Drawn by:	Scale: 1:5
Contact Information:			

