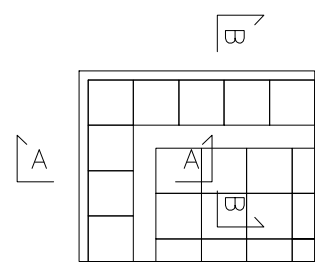
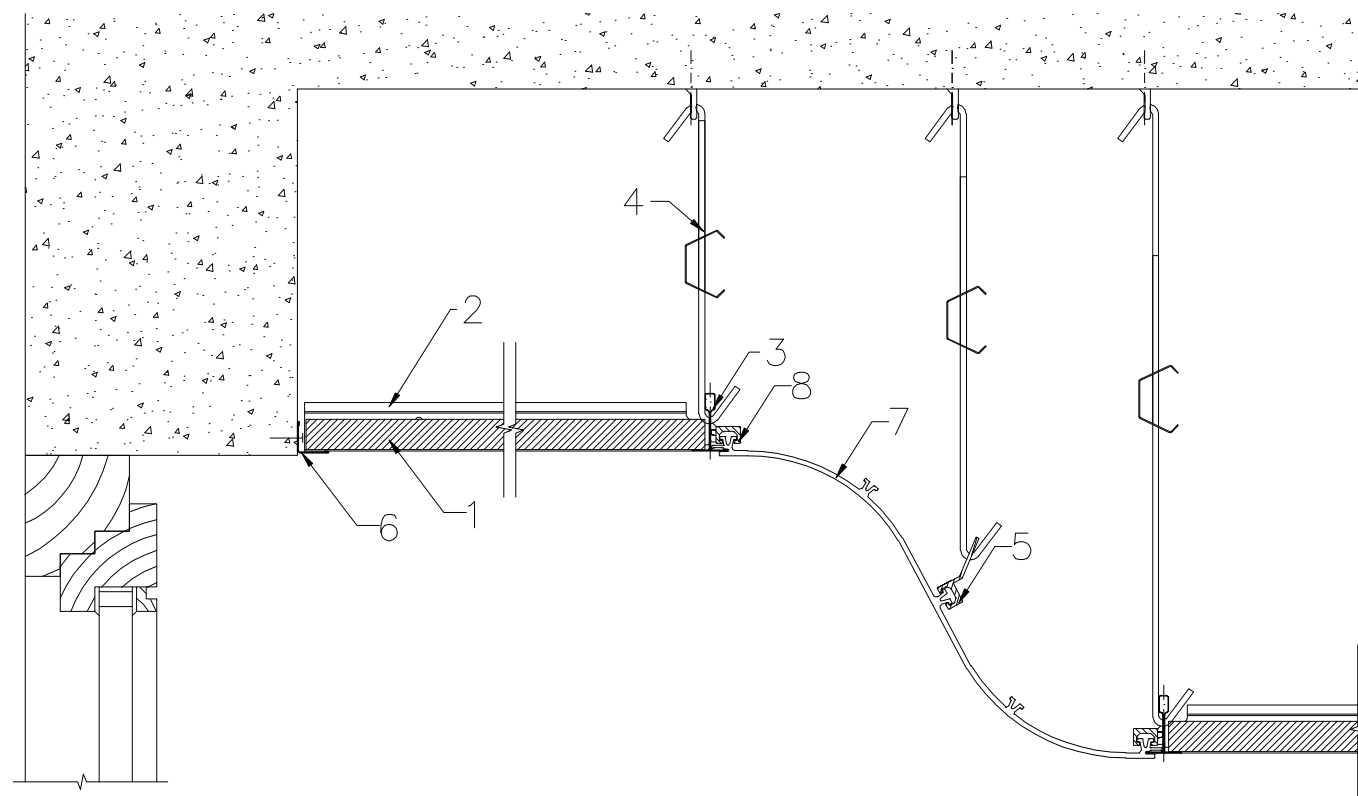


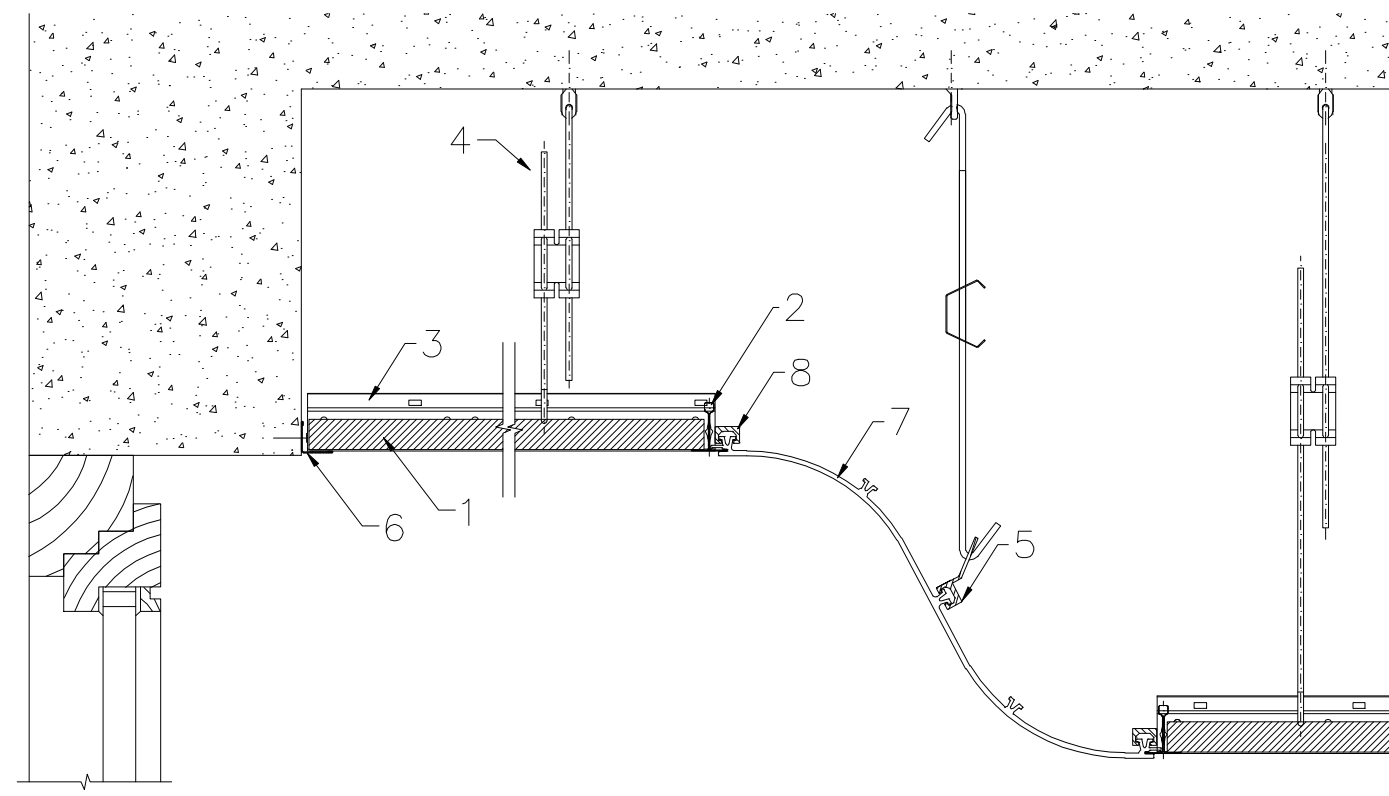
1. Tile ROCKFON SONAR A
2. Cross tee DX24 1200mm
3. Main runner DX24 3700mm
4. Adjustable hanger
5. Frieze hanger
6. Perimeter angle trim
7. S-line 200 profil
8. Frieze connector



A-A



B-B



All screws and other fastenings shown are indicative and illustrative only.
Specific fasteners should be chosen dependent on substrates and materials being used.

Information:
Light from windows – S-line 200 aluminium profil

Date:

Drawing Type:

Drawing No.:

Drawn by:

Scale:

1:5

Contact Information:

We kindly draw your attention to the fact that the above drawings should be considered as guidelines and therefore are without responsibility on the part of Rockfon.