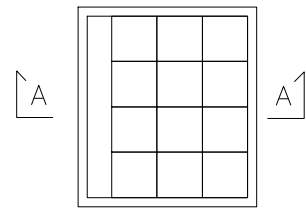
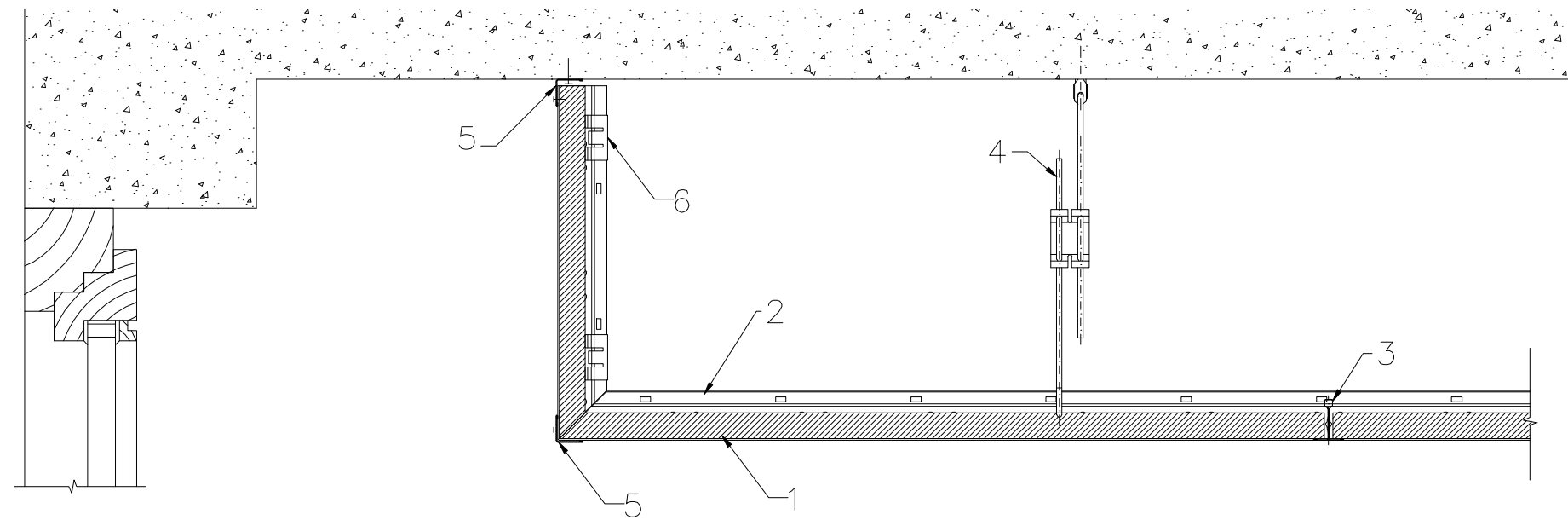


1. Tile ROCKFON SONAR A
2. Main runner DX24 3700mm
3. Cross tee DX24 1200mm
4. Adjustable hanger
5. Perimeter angle trim
6. Hold down clip



A-A



All screws and other fastenings shown are indicative and illustrative only.
Specific fasteners should be chosen dependent on substrates and materials being used.

<p>Information: Light from windows – bend T profil</p>	Date:		Drawing Type:	
	Drawing No.:		Drawn by:	Scale: 1:5
	Contact Information:			

We kindly draw your attention to the fact that the above drawings should be considered as guidelines and therefore are without responsibility on the part of Rockfon.

