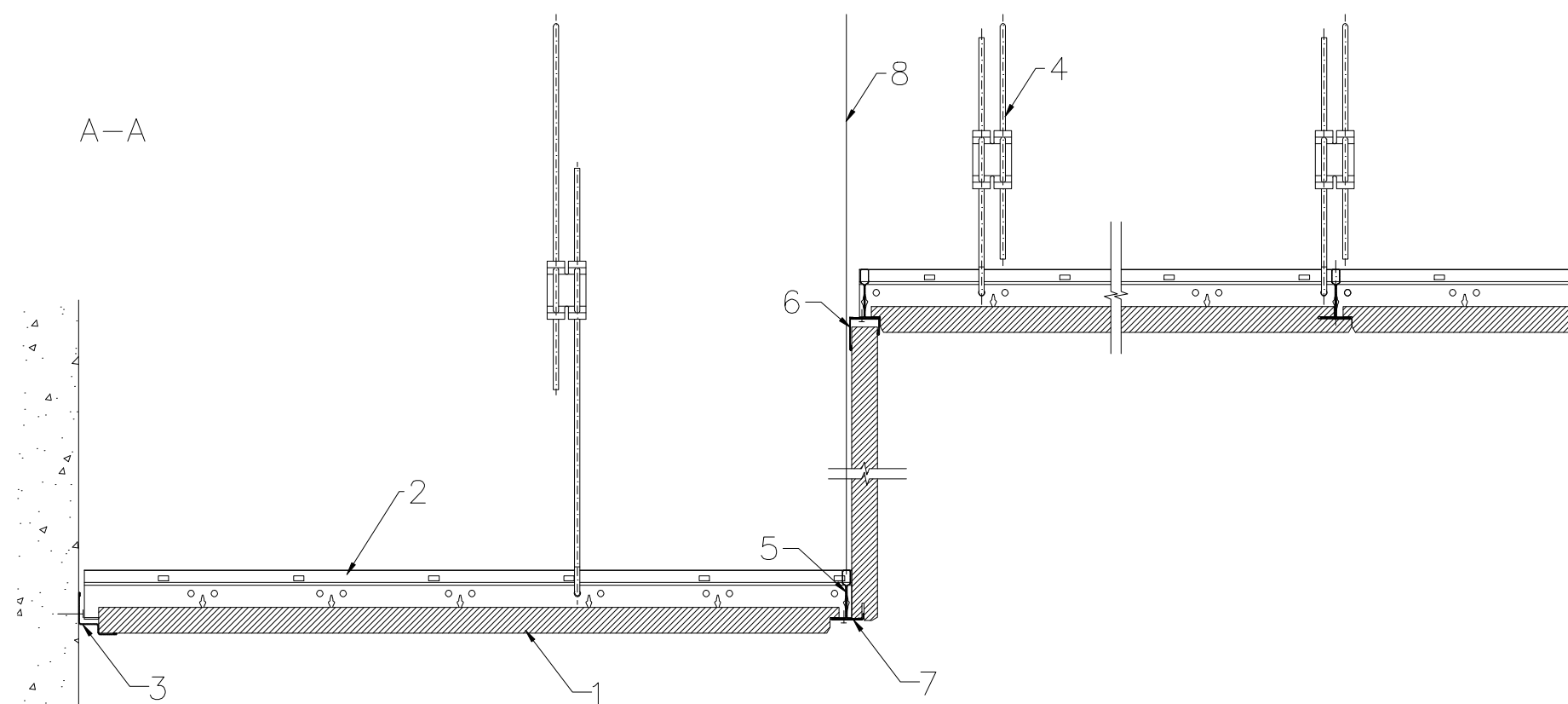
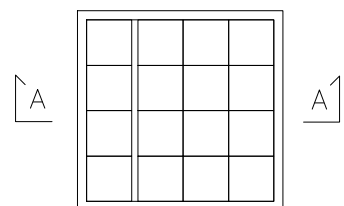


1. Tile ROCKFON SONAR D
2. Main runner DX24 3700mm
3. Shadow angle trim
4. Adjustable hanger
5. Cross tee DX24 1800mm
6. U profile
7. Special profile H8Q
8. Metal wire c-c 900 mm



All screws and other fastenings shown are indicative and illustrative only.
Specific fasteners should be chosen dependent on substrates and materials being used.

Information:
Level shift – vertical C-edge

Date:

Drawing Type:

Drawing No.:

Drawn by:

Scale:

1:5

Contact Information:

We kindly draw your attention to the fact that the above drawings should be considered as guidelines and therefore are without responsibility on the part of Rockfon.