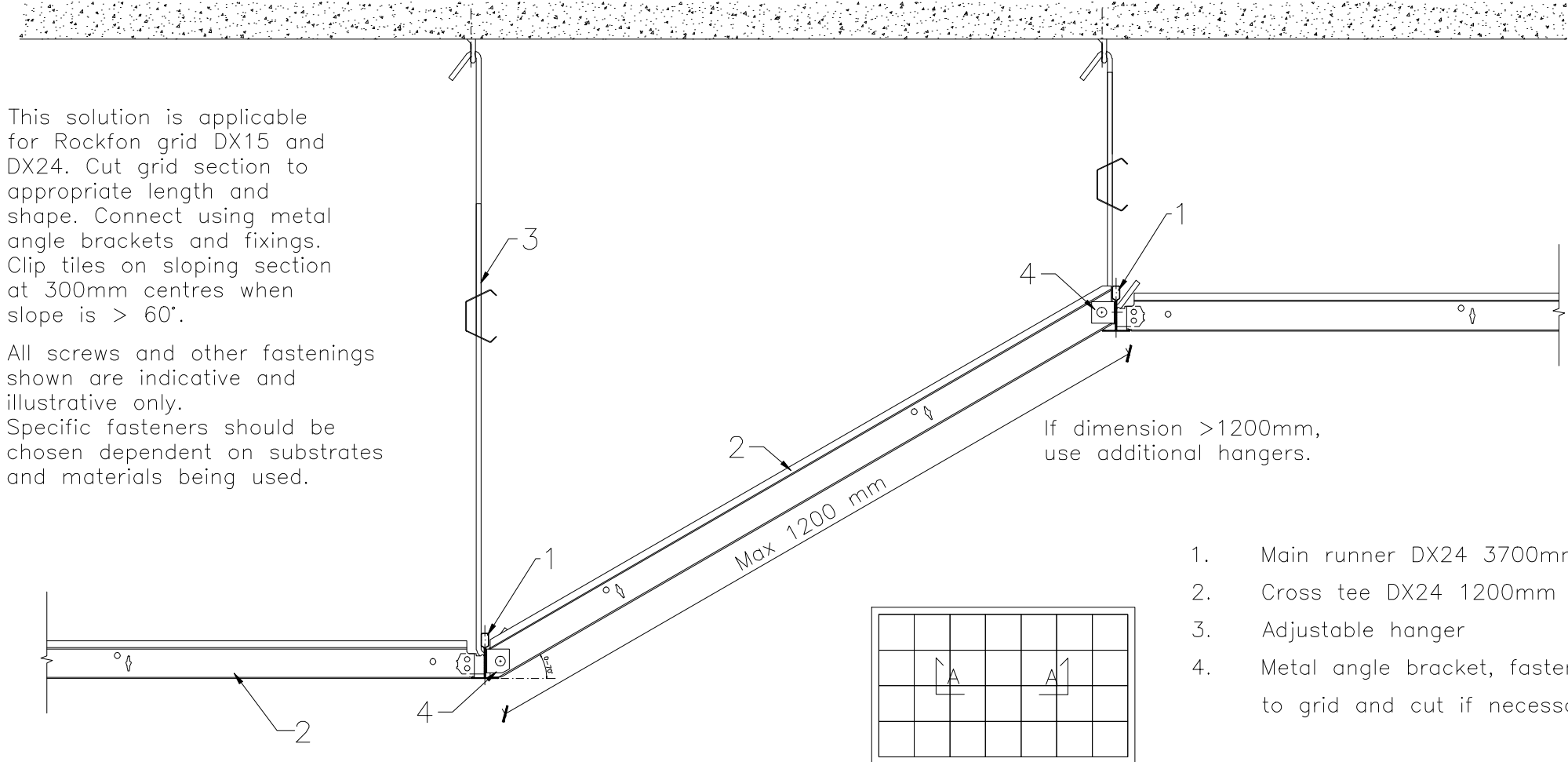


A-A



This solution is applicable for Rockfon grid DX15 and DX24. Cut grid section to appropriate length and shape. Connect using metal angle brackets and fixings. Clip tiles on sloping section at 300mm centres when slope is > 60°.

All screws and other fastenings shown are indicative and illustrative only. Specific fasteners should be chosen dependent on substrates and materials being used.

If dimension > 1200mm, use additional hangers.

- 1. Main runner DX24 3700mm
- 2. Cross tee DX24 1200mm
- 3. Adjustable hanger
- 4. Metal angle bracket, fastened to grid and cut if necessary

Information:
Level change sloping 0–70°

Date:

Drawing No.:

Contact Information:

We kindly draw your attention to the fact that the above drawings should be considered as guidelines and therefore are without responsibility on the part of Rockfon.

Drawing Type:

Drawn by:

Scale:
1:5

