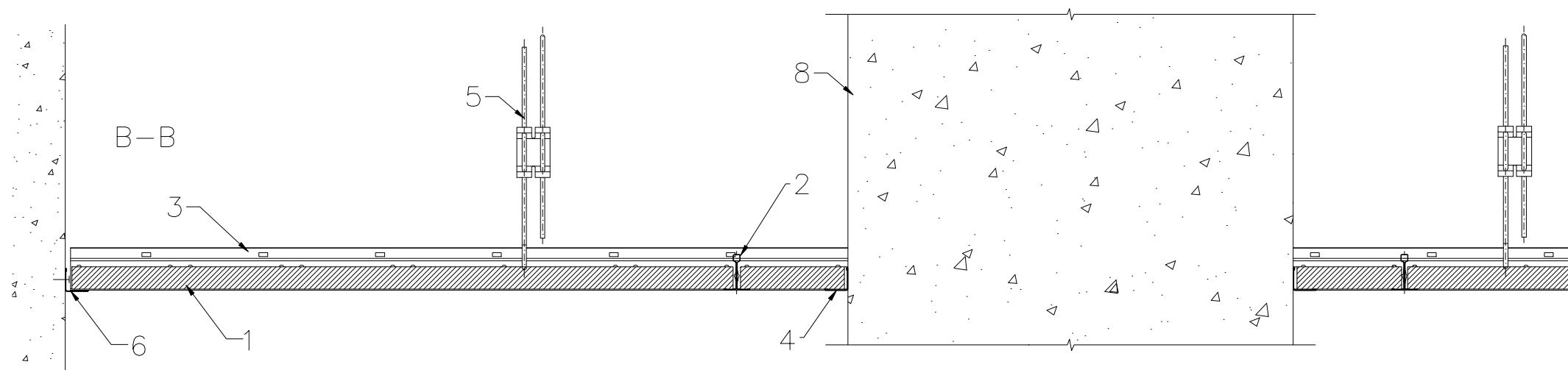
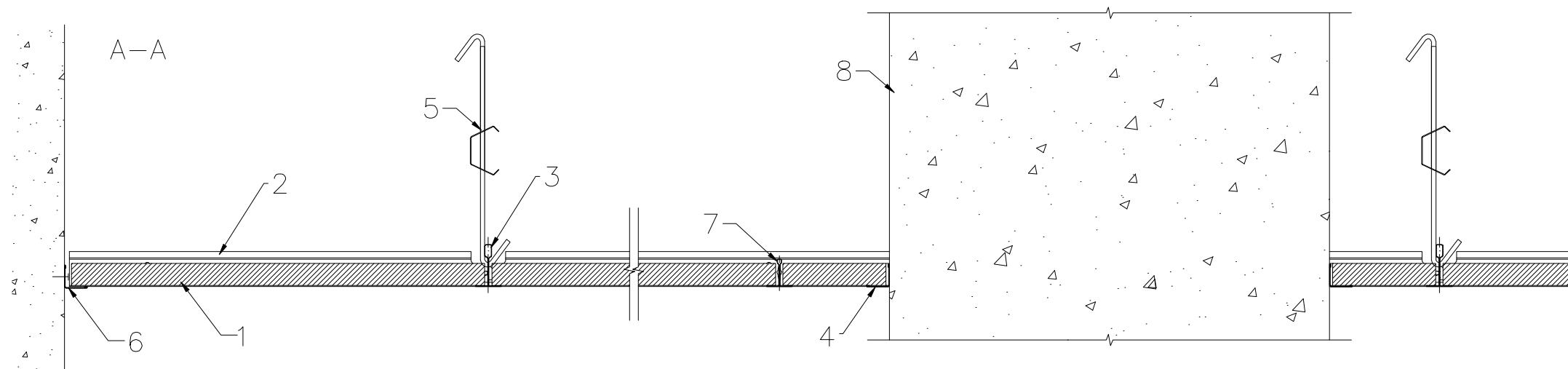


1. Tile ROCKFON SONAR A
2. Cross tee DX24 1200mm
3. Main runner DX24 3700mm
4. Flexible perimeter trim
5. Adjustable hanger
6. Perimeter angle trim
7. Cross tee DX24 600mm
8. Pillar



All screws and other fastenings shown are indicative and illustrative only.
Specific fasteners should be chosen dependent on substrates and materials being used.

Information:
Pillars – flexible perimeter trim

Date:

Drawing Type:

Drawing No.:

Drawn by:

Scale:

1:5

Contact Information:

We kindly draw your attention to the fact that the above drawings should be considered as guidelines and therefore are without responsibility on the part of Rockfon.

