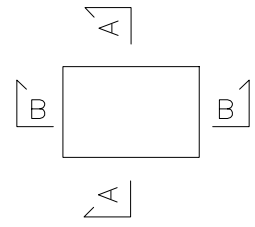


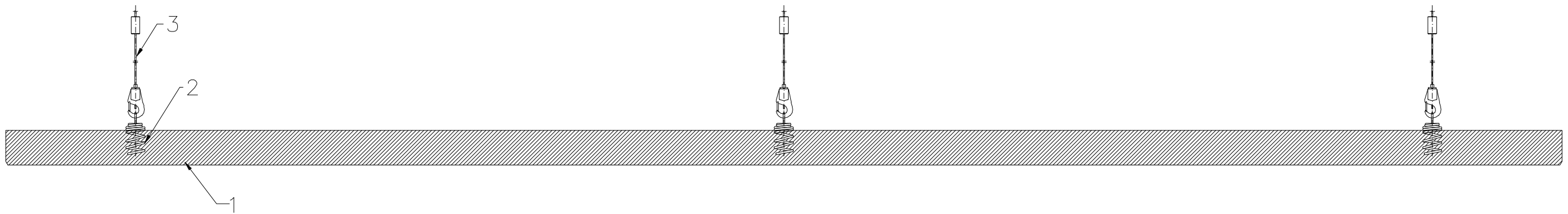
1. Tile ROCKFON ECLIPSE 1800x1200
2. Spiral anchor
3. Adjustable hanger



A-A



B-B



All screws and other fastenings shown are indicative and illustrative only.  
Specific fasteners should be chosen dependent on substrates and materials being used.

<b>Information:</b> Acoustic regulation without a complete suspended ceiling – single panel island	
We kindly draw your attention to the fact that the above drawings should be considered as guidelines and therefore are without responsibility on the part of Rockfon.	

Date:		Drawing Type:	
Drawing No.:		Drawn by:	Scale: 1:5
Contact Information:			

