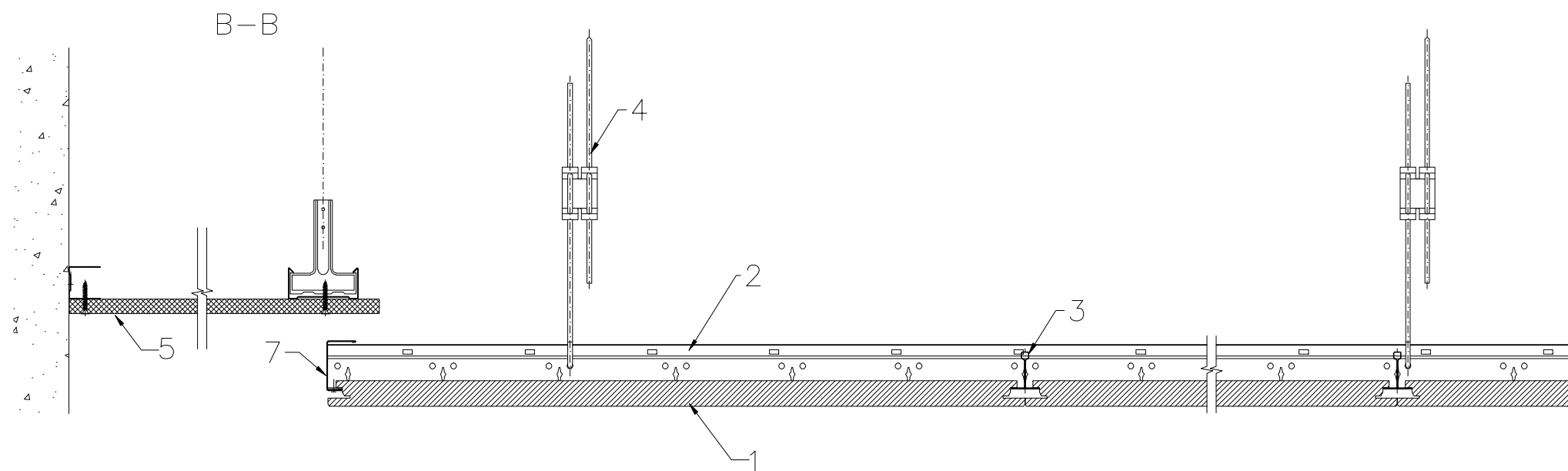
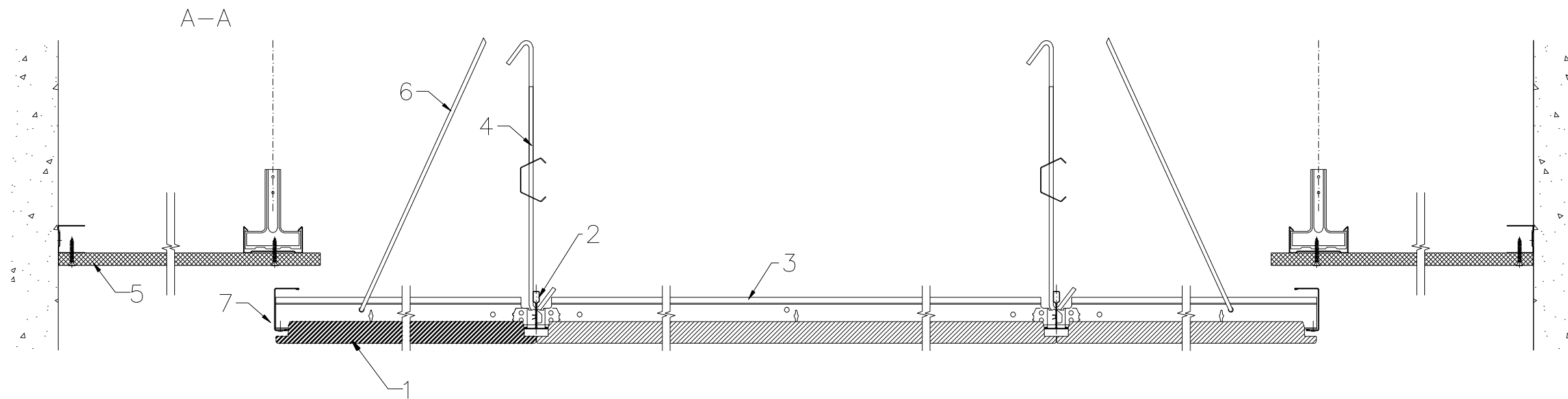


1. Tile ROCKFON SONAR X
2. Main runner DX24 3700mm
3. Cross tee DX24 1200mm
4. Adjustable hanger
5. Gypsum board
6. Extra support for long length cross tee
7. U-profile MUS25W



All screws and other fastenings shown are indicative and illustrative only. Specific fasteners should be chosen dependent on substrates and materials being used.

Information:
Corridors – gypsum perimeter at a higher level to create shadow effect

Date:

Drawing Type:

Drawing No.:

Drawn by:

Scale:

1:5

Contact Information:

We kindly draw your attention to the fact that the above drawings should be considered as guidelines and therefore are without responsibility on the part of Rockfon.