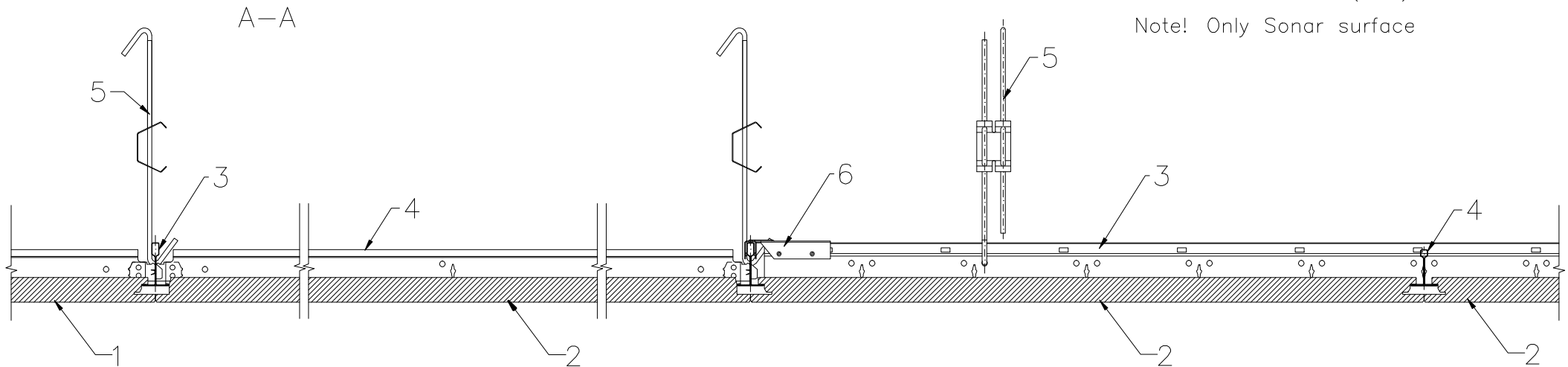


1. Tile ROCKFON SONAR 600x600
 2. Tile ROCKFON SONAR 1200x600
 3. Main runner DX24 3700mm
 4. Cross tee DX24 1200mm
 5. Adjustable hanger
 6. T connector (DB3)
- Note! Only Sonar surface



All screws and other fastenings shown are indicative and illustrative only.
Specific fasteners should be chosen dependent on substrates and materials being used.

Information:
Corridors – changing direction around corners,
X-edge

Date:

Drawing Type:

Drawing No.:

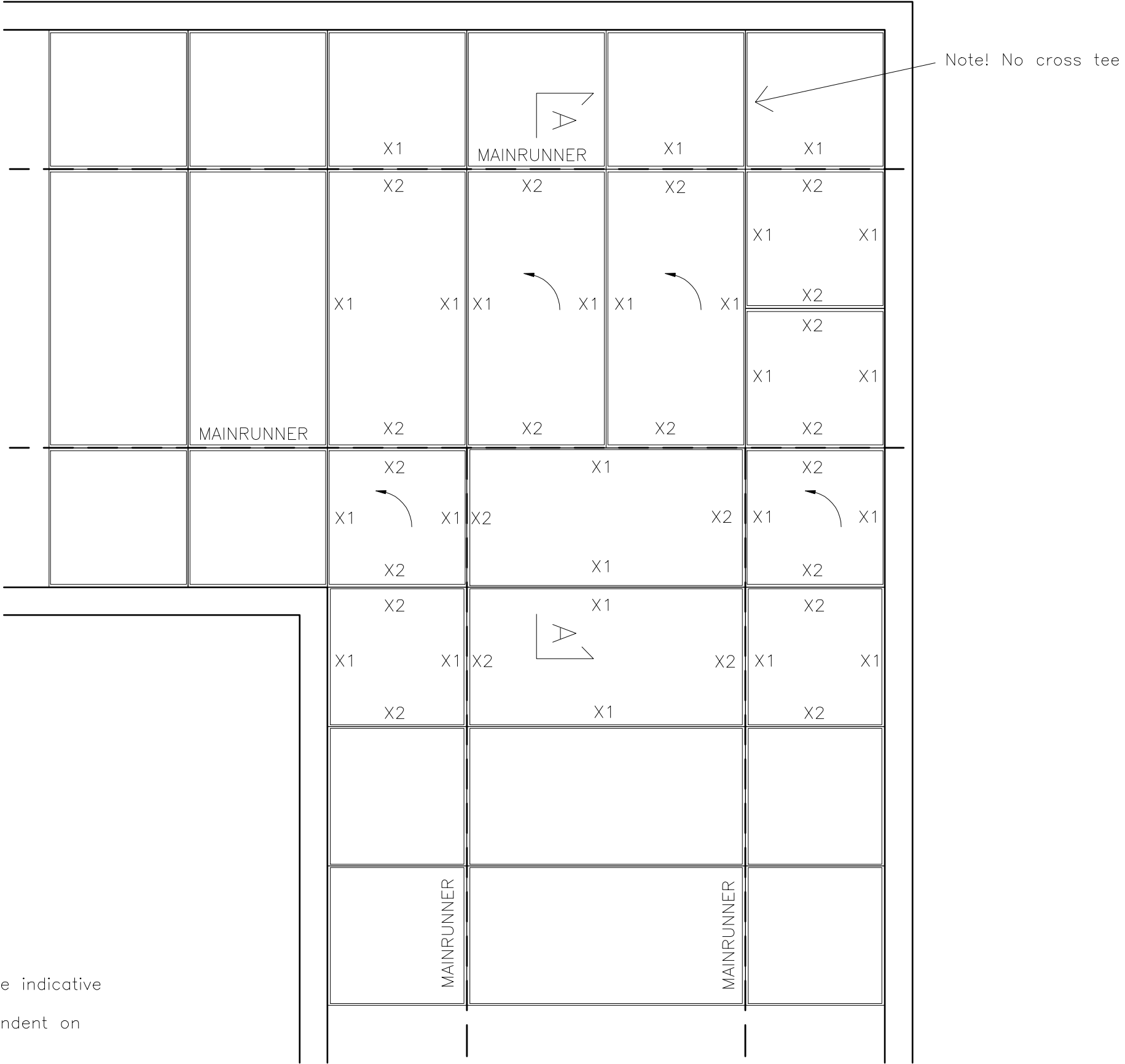
Drawn by:

Scale:
1:5 (A4)

Contact Information:

Rockfon
ACTIVATE YOUR CEILING

We kindly draw your attention to the fact that the above drawings should be considered as guidelines and therefore are without responsibility on the part of Rockfon.



All screws and other fastenings shown are indicative and illustrative only. Specific fasteners should be chosen dependent on substrates and materials being used.

Information:
Corridors – changing direction around corners, X–edge

We kindly draw your attention to the fact that the above drawings should be considered as guidelines and therefore are without responsibility on the part of Rockfon.

Date:		Drawing Type:	
Drawing No.:		Drawn by:	Scale: 1:20 (A3)
Contact Information:			

