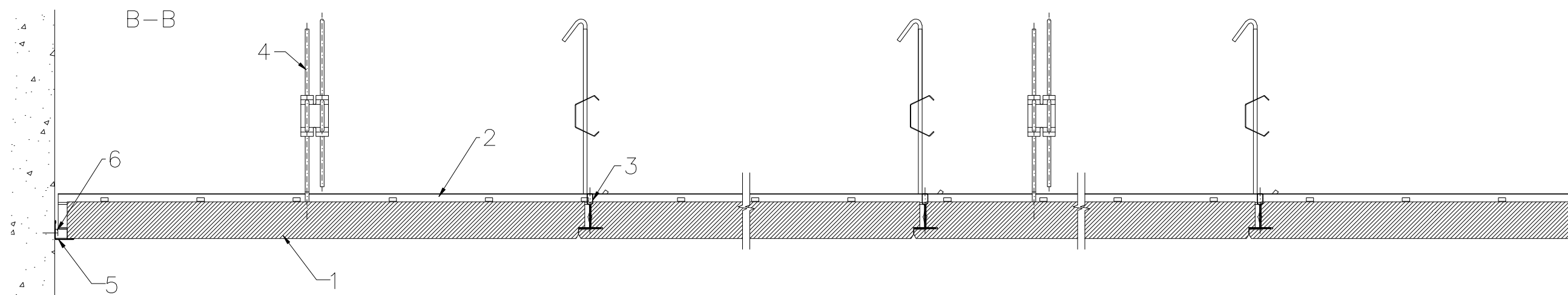
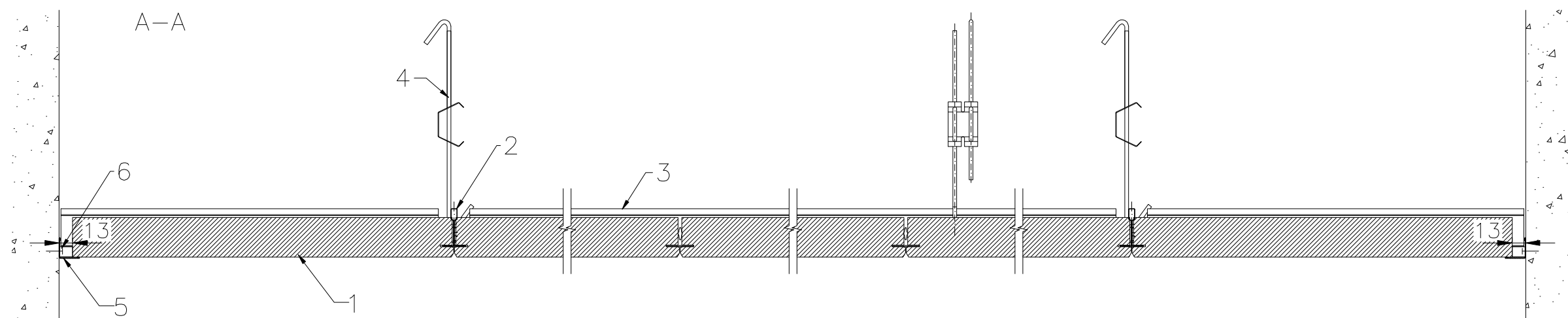


1. Tile ROCKFON SONAR dB 42
2. Main runner DX24 3700mm
3. Cross tee DX24 1800mm
4. Adjustable hanger
5. Perimeter angle trim
6. Wall spring



All screws and other fastenings shown are indicative and illustrative only.
Specific fasteners should be chosen dependent on substrates and materials being used.

Information:
Corridors – reduction of installation noise, dB products

Date:

Drawing Type:

Drawing No.:

Drawn by:

Scale:

1:5

Contact Information:

We kindly draw your attention to the fact that the above drawings should be considered as guidelines and therefore are without responsibility on the part of Rockfon.

Rockfon
ACTIVATE YOUR CEILING