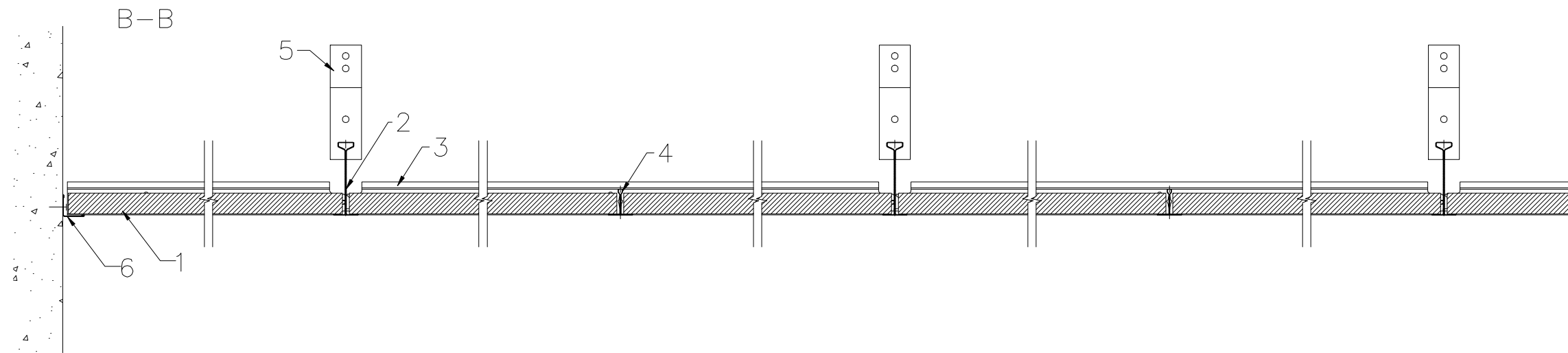
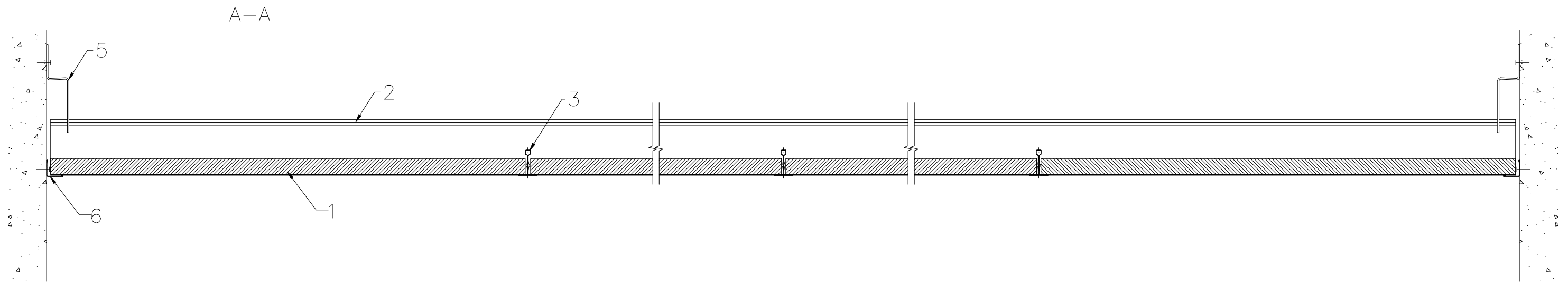


1. Tile ROCKFON SONAR A 600x600mm
2. ESPACE profile
3. Cross tee DX24 1200mm
4. Cross tee DX24 600mm
5. Wall fixation
6. Perimeter angle trim



All screws and other fastenings shown are indicative and illustrative only.
 Specific fasteners should be chosen dependent on substrates and materials being used.

Information:
 Corridors – Espace solution till 2,5m, A-edge

We kindly draw your attention to the fact that the above drawings should be considered as guidelines and therefore are without responsibility on the part of Rockfon.

| | | |
|----------------------|---------------|---------------|
| Date: | Drawing Type: | |
| Drawing No.: | Drawn by: | Scale: 1:5 |
| Contact Information: | | |

