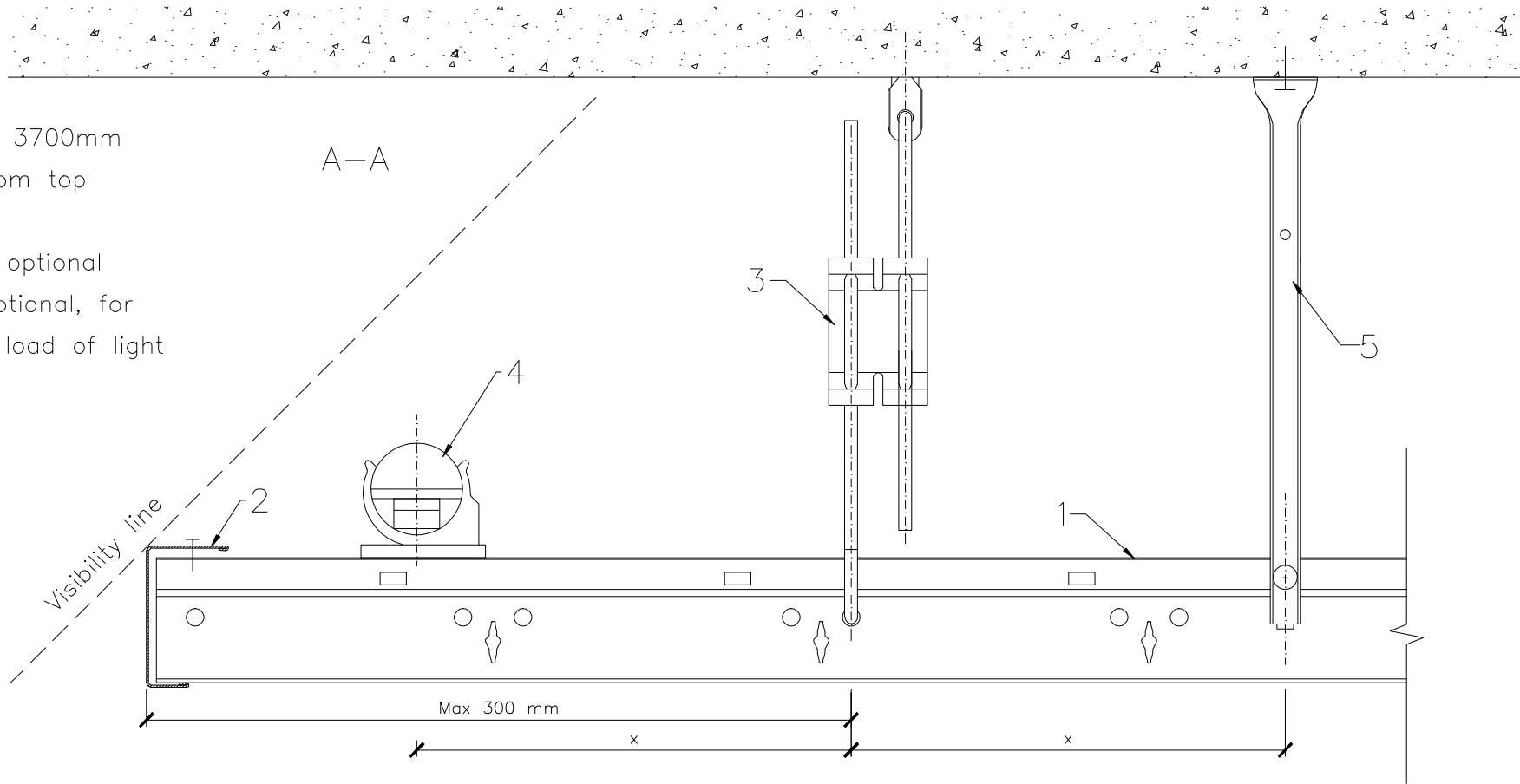
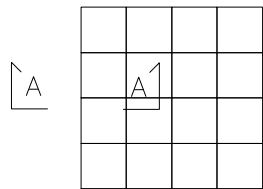


1. Main runner DX24 3700mm
2. U-chanel fixed from top
3. Adjustable hanger
4. Light armatrue – optional
5. Rigid hanger – optional, for counteracting the load of light



Floating ceiling incorporating optional light and counteracting rigid hanger. For the best aesthetics, hangers shall be positioned so that they are not seen from floor level, and the surrounding U-channels shall be fixed from the top to grid using metal angle brackets, thereby avoiding visible fixings.

All screws and other fastenings shown are indicative and illustrative only.
 Specific fasteners should be chosen dependent on substrates and materials being used.

Information: Floating ceiling with light integration	Date:	Drawing Type:	
	Drawing No.:	Drawn by:	Scale: 1:2
	Contact Information:		

We kindly draw your attention to the fact that the above drawings should be considered as guidelines and therefore are without responsibility on the part of Rockfon.

