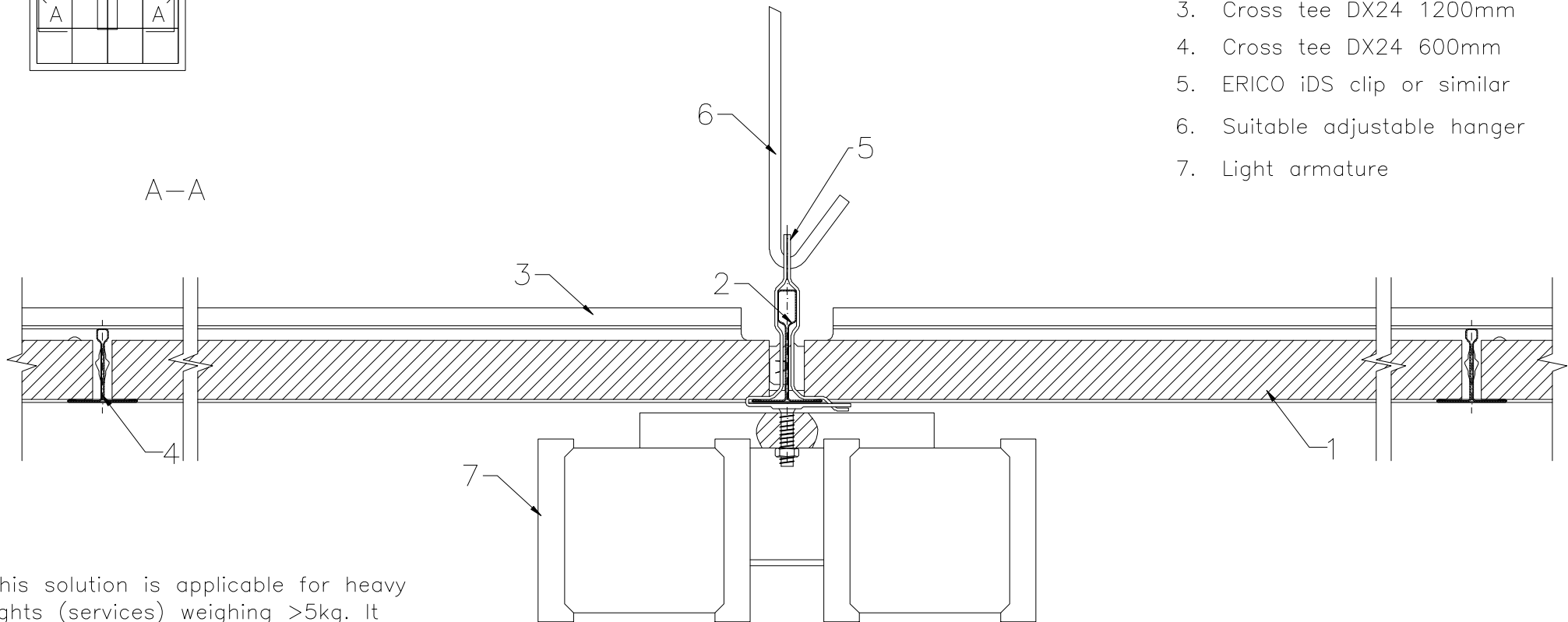


A-A



1. Tile ROCKFON SONAR A
2. Main runner DX24 3700mm
3. Cross tee DX24 1200mm
4. Cross tee DX24 600mm
5. ERICO iDS clip or similar
6. Suitable adjustable hanger
7. Light armature

This solution is applicable for heavy lights (services) weighing >5kg. It allows the transfer of the load directly to the soffit via grid system using ERICO iDS clips. The maximum load on the clip should not exceed 25kg.

All screws and other fastenings shown are indicative and illustrative only. Specific fasteners should be chosen dependent on substrates and materials being used.

Information:

Light installation – surface mounted
fixed to grid system

Date:

Drawing Type:

Drawing No.:

Drawn by:

Scale:

1:2

Contact Information:

Rockfon[®]
ACTIVATE YOUR CEILING