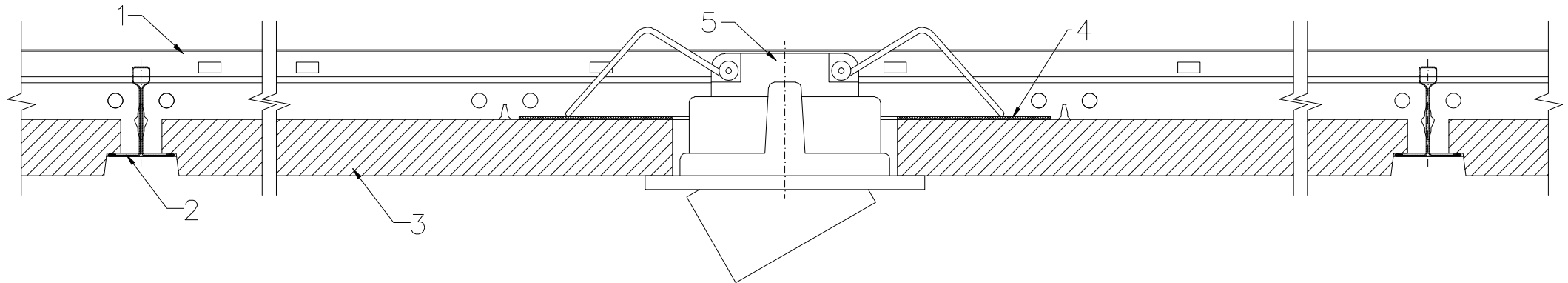


1. Main runner DX24 3700mm
2. Cross tee DX24 1200mm
3. Tile ROCKFON SONAR E
4. Metal or similar yoke
5. Light armature

A-A



This solution is applicable for spotlights (services) weighing <math><0,25\text{kg}</math>. Cut hole in tile to match size and shape of light. Use small metal yoke to spread load on to back of tile. Fit light into tile and yoke.

Metal or similar yoke (4):  
 Min.  $\phi = 2 \times \phi$  of light,  
 Min. thickness = 0,6mm.

All screws and other fastenings shown are indicative and illustrative only. Specific fasteners should be chosen dependent on substrates and materials being used.

**Information:**  
 Light installation – spotlight integrated with yoke

Date:

Drawing Type:

Drawing No.:

Drawn by:

Scale:  
 1:2

Contact Information:

**Rockfon**  
 ACTIVATE YOUR CEILING