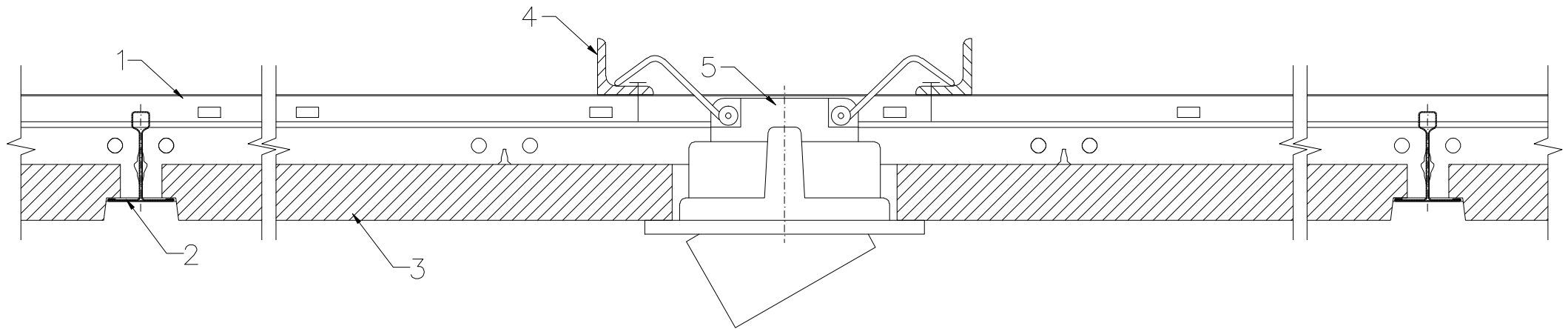


A-A

1. Main runner DX24 3700mm
2. Cross tee DX24 1200mm
3. Tile ROCKFON SONAR E
4. Metal or similar support arm
5. Light armature



This solution is applicable for lights (services) weighing <math><0,25\text{kg}</math>. Support light using two support arms, supported on bulb of grid components. Cut hole in the tile to match size and shape of light. If using "out of balance" light, ensure overhang is in line with support arms.

All screws and other fastenings shown are indicative and illustrative only. Specific fasteners should be chosen dependent on substrates and materials being used.

Information:
Light installation – downlight integrated with support arms

Date:

Drawing Type:

Drawing No.:

Drawn by:

Scale:
1:2

Contact Information:

Rockfon
ACTIVATE YOUR CEILING