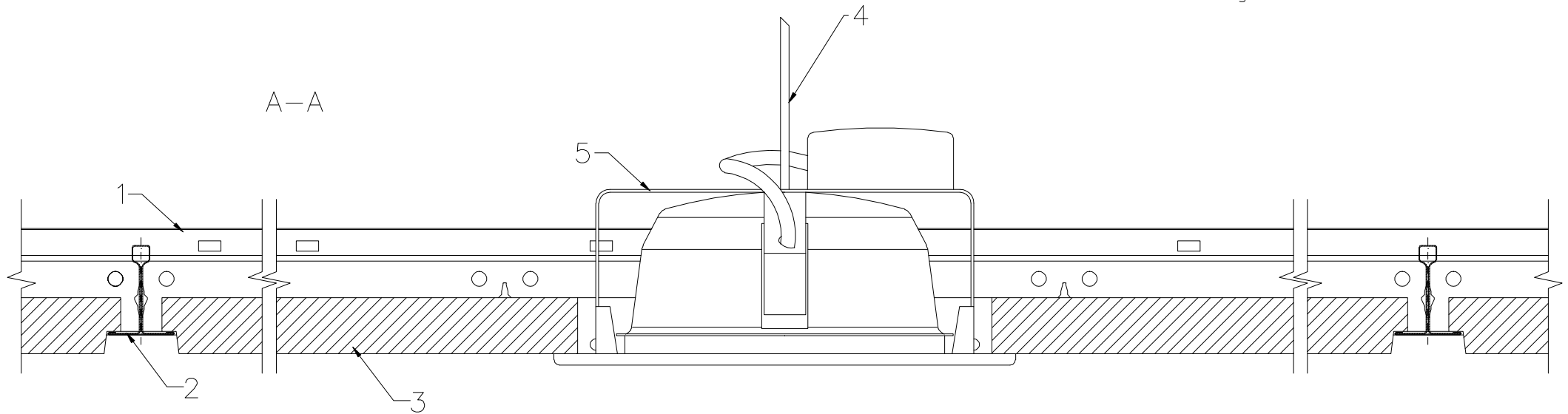


1. Main runner DX24 3700mm
2. Cross tee DX24 1200mm
3. Tile ROCKFON SONAR E
4. Suitable hanger
5. Light armature



This solution is applicable for lights (services) weighing >3kg.
Cut hole in tile to match size and shape of light. Independently
suspend light, making it stable and well balanced.

All screws and other fastenings shown are indicative and illustrative only.
Specific fasteners should be chosen dependent on substrates and materials being used.

Information:
Light installation – downlight independently
suspended

Date:

Drawing Type:

Drawing No.:

Drawn by:

Scale:
1:2

Contact Information:

Rockfon
ACTIVATE YOUR CEILING