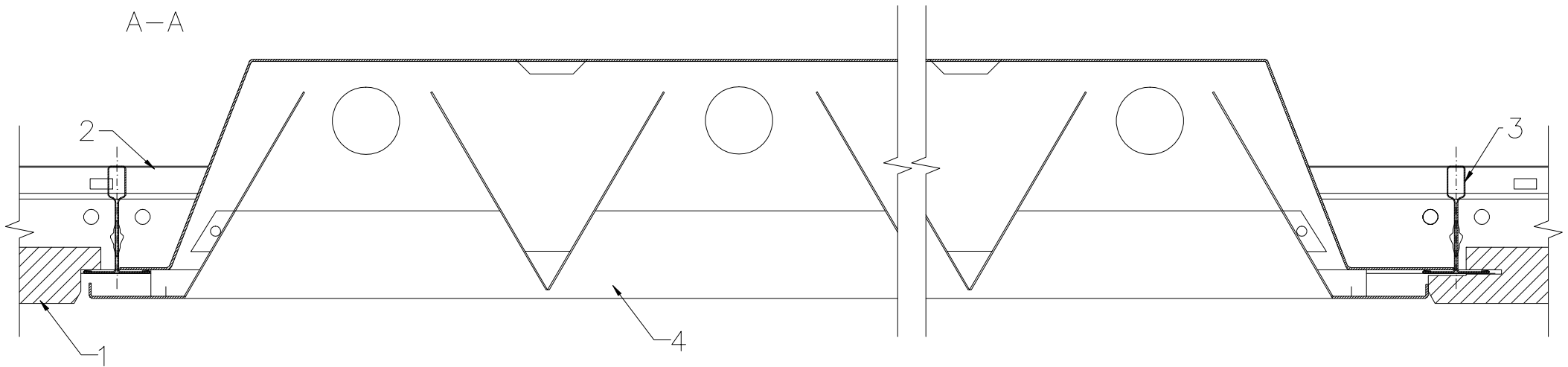


1. Tile ROCKFON SONAR D
2. Main runner DX24 3700mm
3. Cross tee DX24 1800mm
4. Modular light fitting



Weight of the light must not exceed the maximum allowed system load.
Additional hangers can be added with additional load.

All screws and other fastenings shown are indicative and illustrative only.
Specific fasteners should be chosen dependent on substrates and materials being used.

Information:
Light installation – recessed modular
in System D–XL

Date:

Drawing Type:

Drawing No.:

Drawn by:

Scale:
1:2

Contact Information:

Rockfon[®]
ACTIVATE YOUR CEILING

We kindly draw your attention to the fact that the above drawings should be considered as guidelines and therefore are without responsibility on the part of Rockfon.