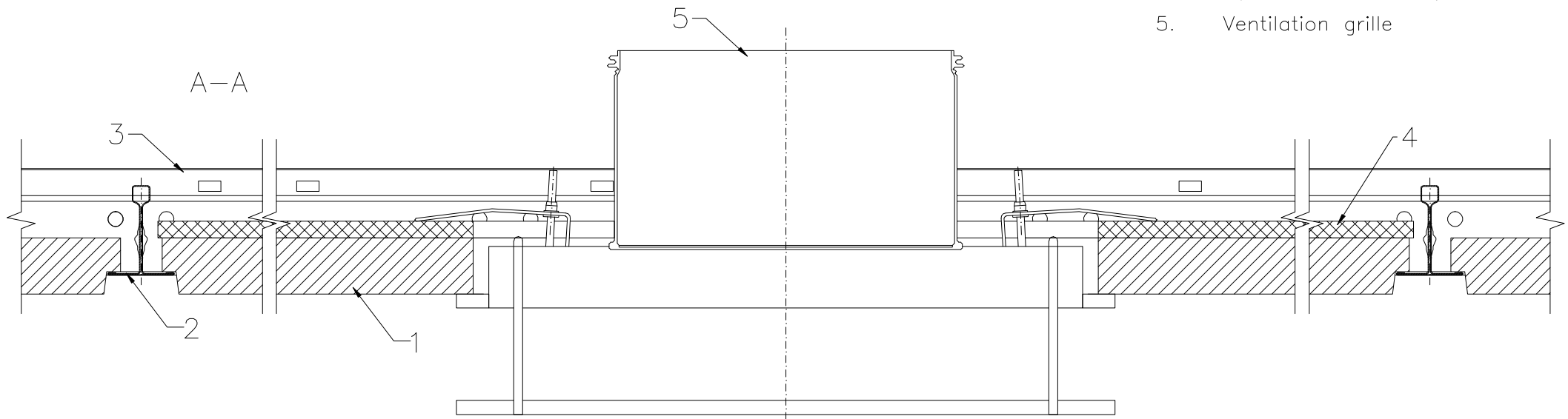


1. Tile ROCKFON SONAR E
2. Cross tee DX24 1200mm
3. Main runner DX24 3700mm
4. Plywood or similar yoke
5. Ventilation grille



This solution is applicable for grilles (services) weighing <3kg. Cut hole in tile and centre of yoke to match size and shape of grille. Fit grille into tile and yoke.

Plywood or similar yoke (4):
 Length = module size - 6mm,
 Min. width = grille \varnothing + 250mm,
 Min. thickness = 6mm for up to 600x600mm module,
 Min. thickness = 10mm for up to 1200x1200mm module.

All screws and other fastenings shown are indicative and illustrative only. Specific fasteners should be chosen dependent on substrates and materials being used.

Information:
 Ventilation grille integrated with yoke

Date:

Drawing Type:

Drawing No.:

Drawn by:

Scale:
 1:2

Contact Information:

Rockfon
 ACTIVATE YOUR CEILING