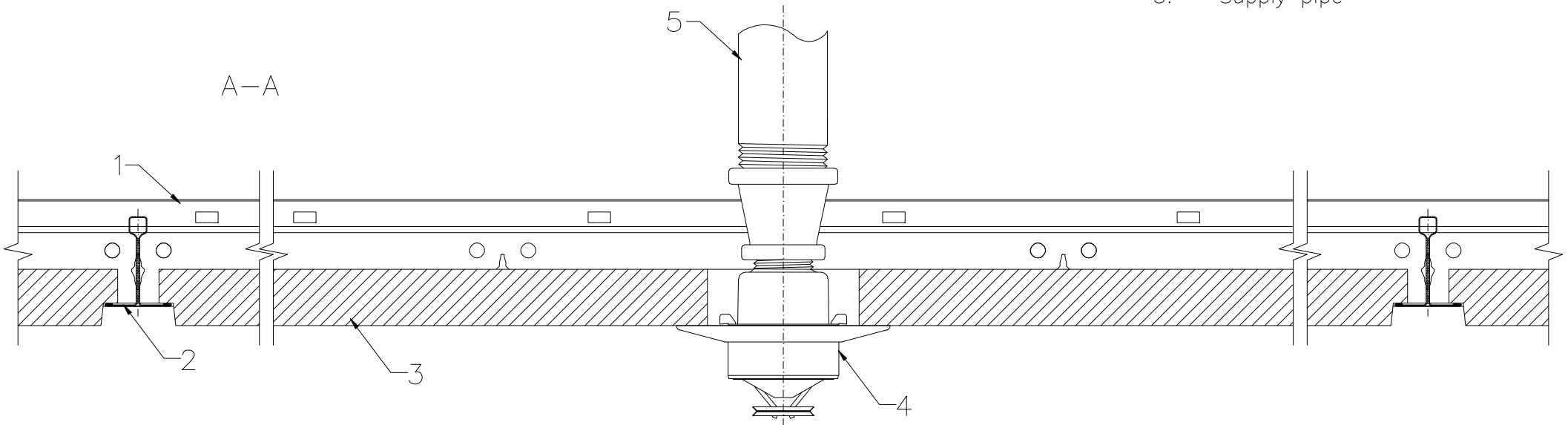


1. Main runner DX24 3700mm
2. Cross tee DX24 1200mm
3. Tile ROCKFON SONAR E
4. Sprinkler
5. Supply pipe



Cut hole in tile and attach
sprinkler head to supply pipe.

All screws and other fastenings shown are indicative and illustrative only.
Specific fasteners should be chosen dependent on substrates and materials being used.

Information:
Sprinkler integration

Date:

Drawing Type:

Drawing No.:

Drawn by:

Scale:
1:2

Contact Information:

Rockfon[®]
ACTIVATE YOUR CEILING