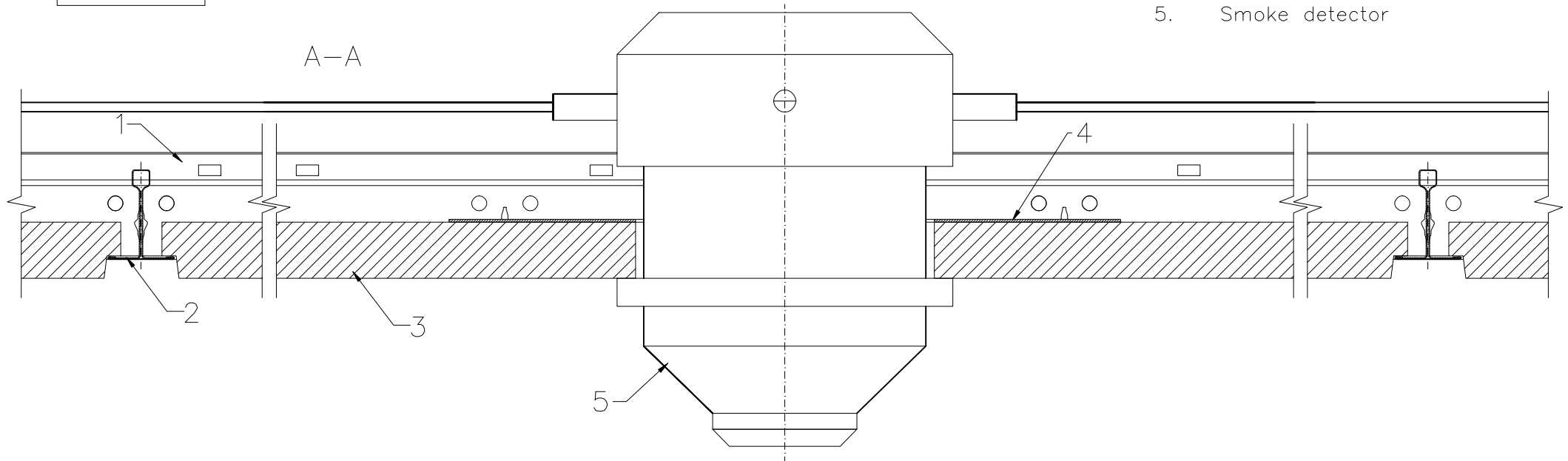


1. Main runner DX24 3700mm
2. Cross tee DX24 1200mm
3. Tile ROCKFON SONAR E
4. Metal or similar yoke
5. Smoke detector



This solution is applicable for smoke detectors (services) weighing <0,25kg. Cut hole in tile. Use small metal yoke to spread load on to back of tile. Fit smoke detector into tile and yoke.

Metal or similar yoke (4):
 Min. $\phi = 2 \times \phi$ of light,
 Min. thickness = 0,6mm.

All screws and other fastenings shown are indicative and illustrative only. Specific fasteners should be chosen dependent on substrates and materials being used.

Information:
 Smoke detector integration

Date:

Drawing Type:

Drawing No.:

Drawn by:

Scale:
 1:2

Contact Information:

Rockfon[®]
 ACTIVATE YOUR CEILING