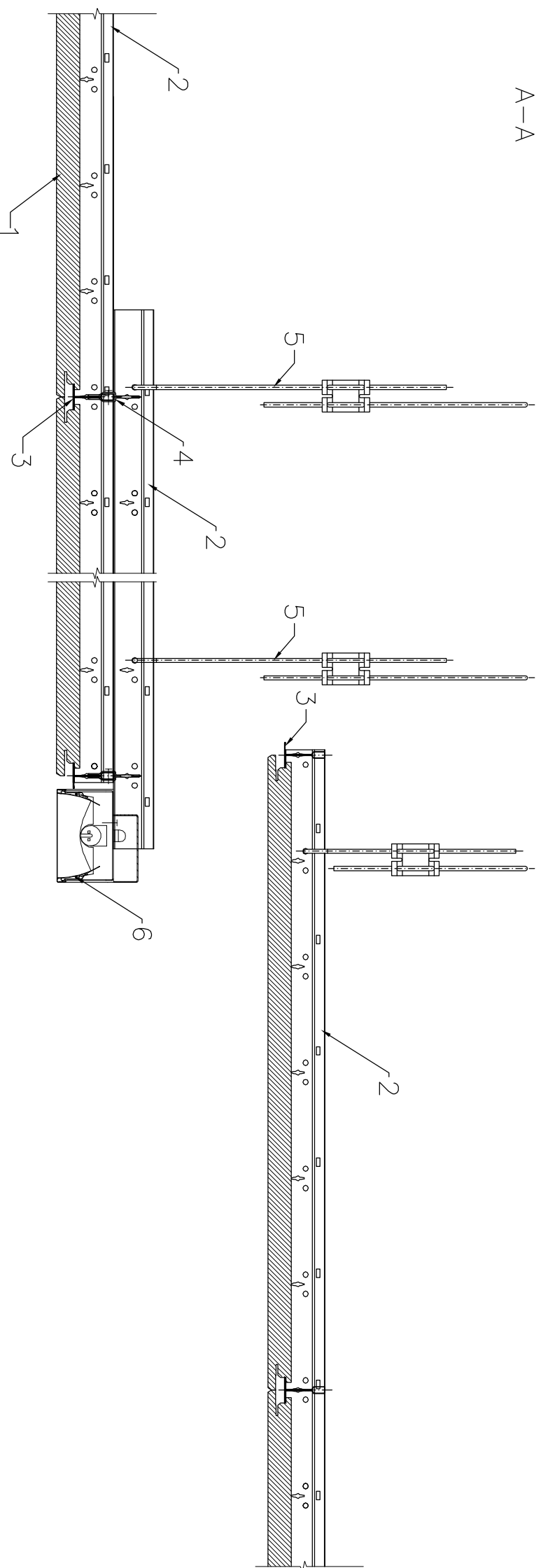


1. Tile ROCKFON SONAR X
2. Main runner DX24 3700mm
3. Cross tee DX24 1800mm
4. DLC clips
5. Adjustable hanger
6. Light armature

A-A



All screws and other fastenings shown are indicative and illustrative only.
Specific fasteners should be chosen dependent on substrates and materials being used.

Information:
Level shift – use of light armature to finish edge

We kindly draw your attention to the fact that the above drawings should be considered as guidelines and therefore are without responsibility on the part of Rockfon.

Date:	Drawing Type:		
Drawing No.:	Drawn by:	Scale:	
Contact Information:		1:5	