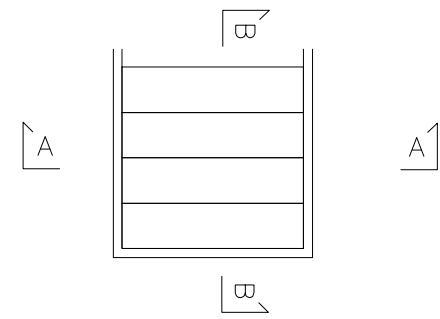
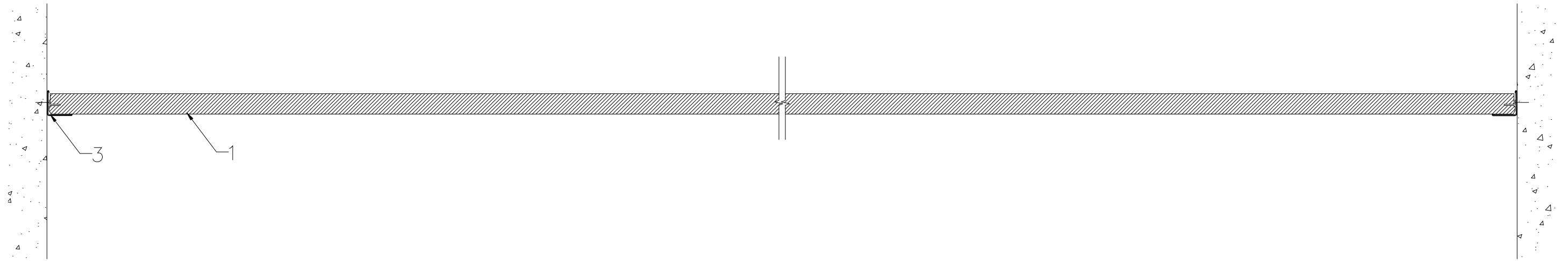


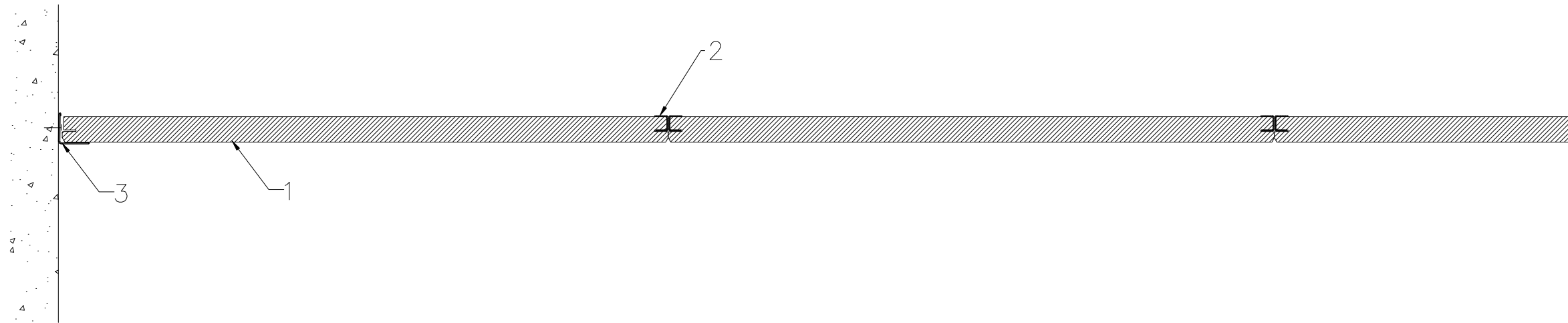
1. Tile ROCKFON SONAR C 2400x600x25mm
2. H8Q C profil
3. Perimeter angle trim – Type CMC L1475



A-A



B-B



All screws and other fastenings shown are indicative and illustrative only. Specific fasteners should be chosen dependent on substrates and materials being used.

**Information:**  
Corridors – C-edge solution without hangers, on wall angle

Date:	Drawing Type:	
Drawing No.:	Drawn by:	Scale: 1:5
Contact Information:		

We kindly draw your attention to the fact that the above drawings should be considered as guidelines and therefore are without responsibility on the part of Rockfon.

