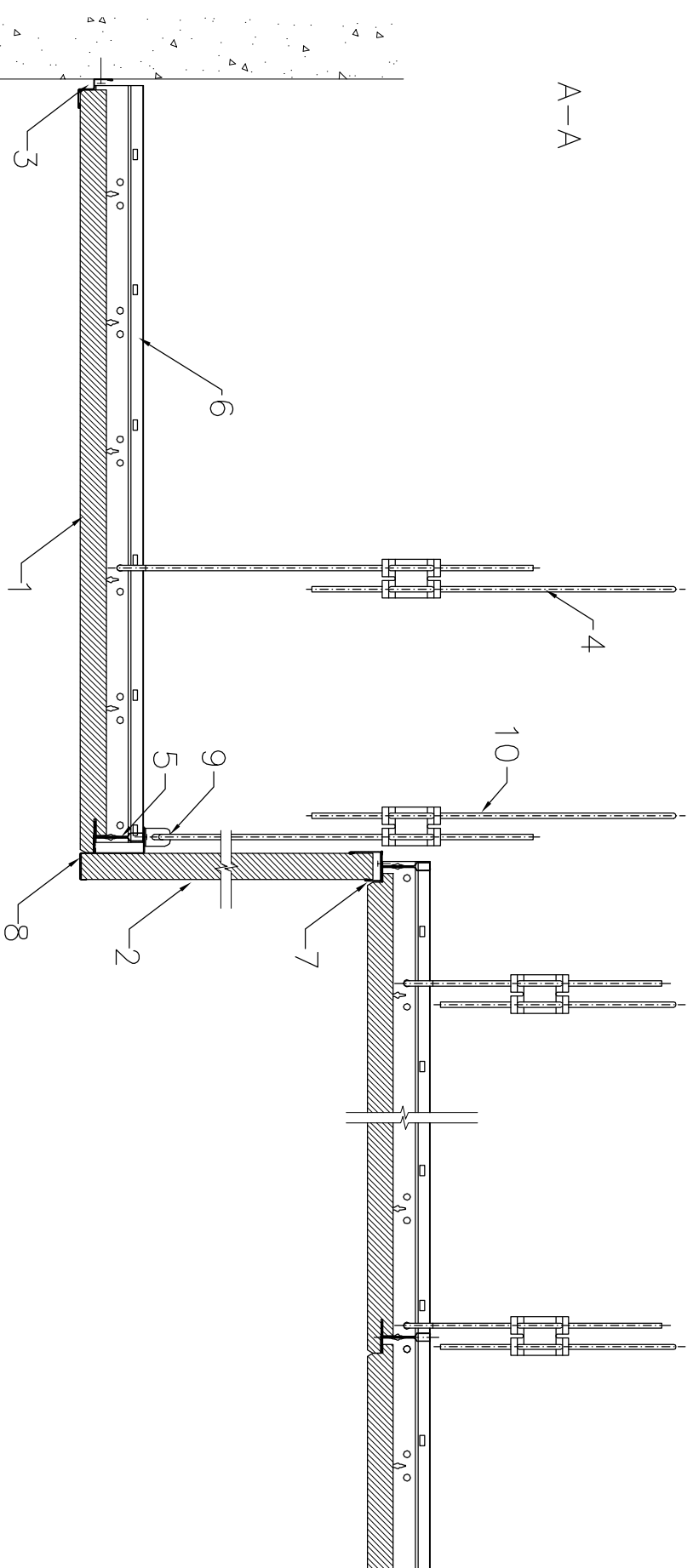


1. Tile ROCKFON SONAR D
2. Tile ROCKFON SONAR D
3. Shadow angle trim RFN0812
4. Adjustable hanger
5. Cross tee DX24 1800mm
6. Main runner DX24 3700mm
7. U profile
8. Special profile H8Q
9. Angle bracket
10. Adjustable hanger c-c 900 mm



All screws and other fastenings shown are indicative and illustrative only.
Specific fasteners should be chosen dependent on substrates and materials being used.

Information:
Level shift – solution with special profiles

We kindly draw your attention to the fact that the above drawings should be considered as guidelines and therefore are without responsibility on the part of Rockfon.

Date:	Drawing Type:		
Drawing No.:	Drawn by:	Scale:	
Contact Information:		1:5	