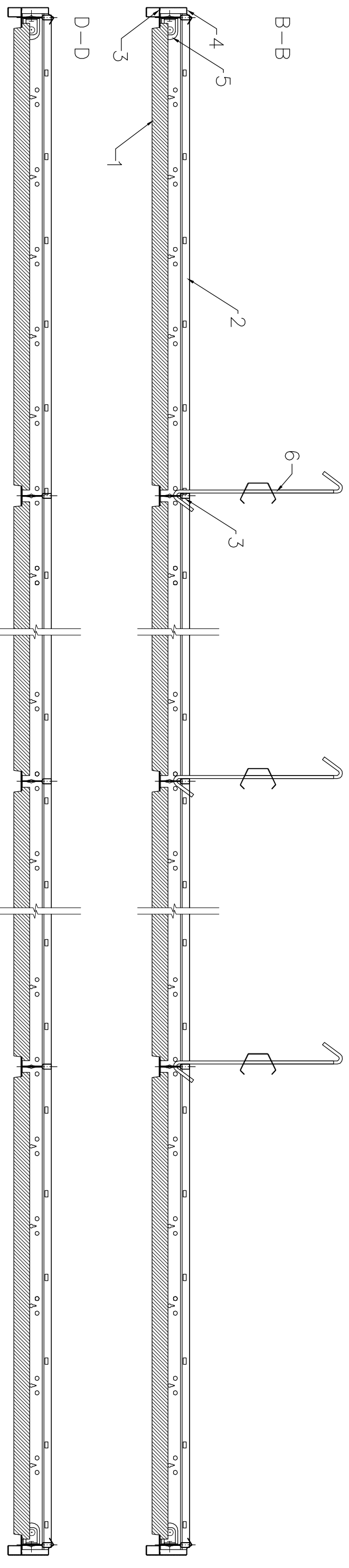
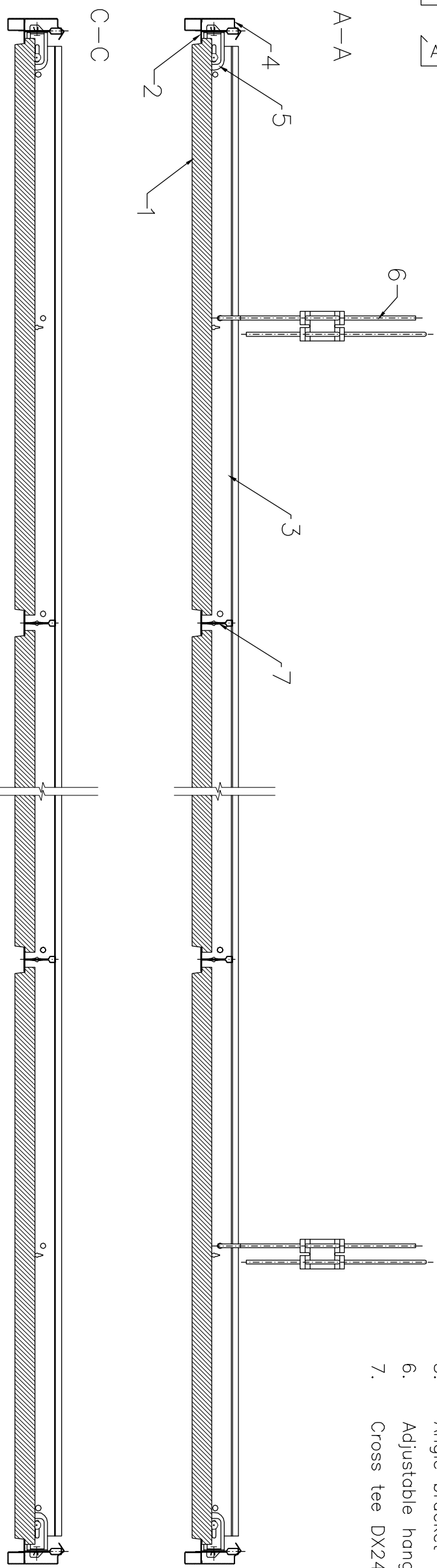


1. Tile ROCKFON SONAR E
2. Main runner DX24 3700mm
3. Cross tee DX24 1800mm
4. X island profile kit
5. Angle bracket
6. Adjustable hanger on cross tee 1800
7. Cross tee DX24 600mm



All screws and other fastenings shown are indicative and illustrative only.  
Specific fasteners should be chosen dependent on substrates and materials being used.

Information:  
Acoustic regulation without a complete suspended ceiling – multipanel island, E–edge

We kindly draw your attention to the fact that the above drawings should be considered as guidelines and therefore are without responsibility on the part of Rockfon.

Date:

Drawing Type:

Drawing No.:

Drawn by:

Scale:  
1:5

Contact Information: