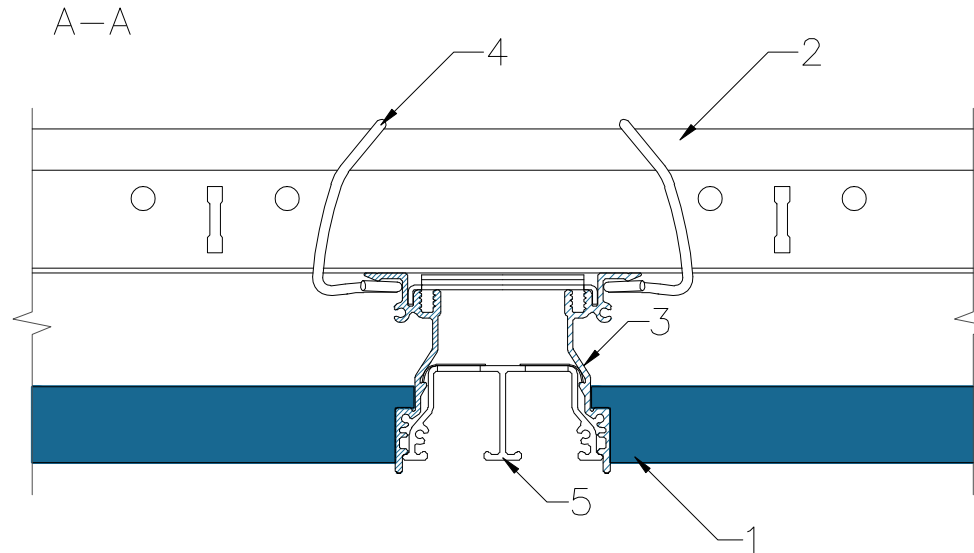


1. Tile ROCKFON, edge H1
2. Mainrunner T24 C/H38 3600 white
3. Fusion Technical Profile
4. Wire Clip
5. Fusion Technical Profile Ventilation inset



All screws and other fastenings shown are indicative and illustrative only.
 Specific fasteners should be chosen dependent on substrates and materials being used.

Information: We kindly draw your attention to the fact that the above drawings should be considered as guidelines and therefore are without responsibility on the part of Rockfon.	Date: 05.03.2014		Drawing Type:	
	Drawing No.: 14.1.5.Rockfon Fusion H		Drawn by:	Scale: 1:2
	Contact Information:			

