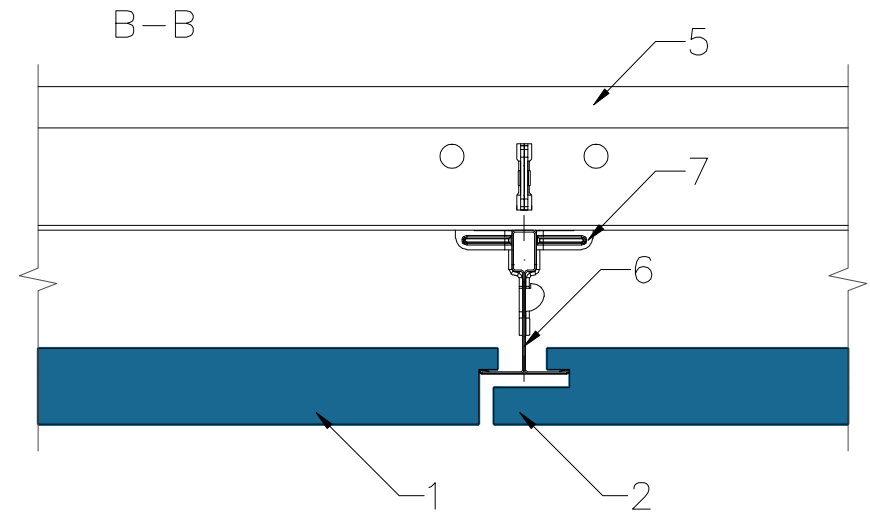
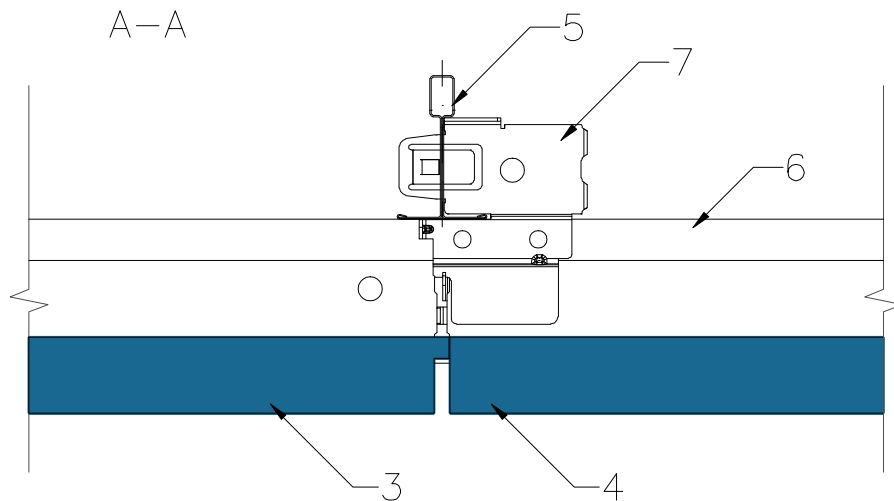



1. Tile ROCKFON, edge L1
2. Tile ROCKFON, edge L2
3. Tile ROCKFON, edge L3
4. Tile ROCKFON, edge A
5. Mainrunner T24 C/H38 3600 white primary layer
6. Mainrunner T24 C/H38 3600 white secondary layer
7. DLC clip



All screws and other fastenings shown are indicative and illustrative only.  
Specific fasteners should be chosen dependent on substrates and materials being used.

Information:	Date: 03.03.2014	Drawing Type:		
	Drawing No.: 16.1.2.Rockfon T24 L	Drawn by:	Scale: 1:2	
	Contact Information:			
We kindly draw your attention to the fact that the above drawings should be considered as guidelines and therefore are without responsibility on the part of Rockfon.				