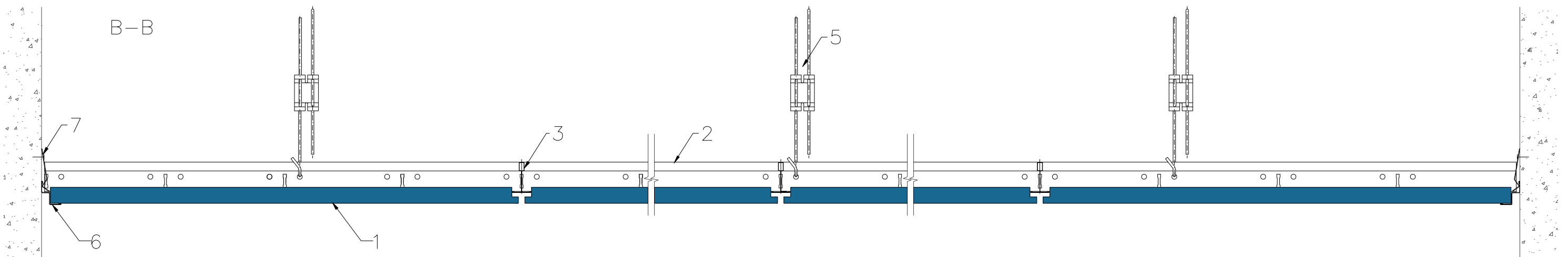
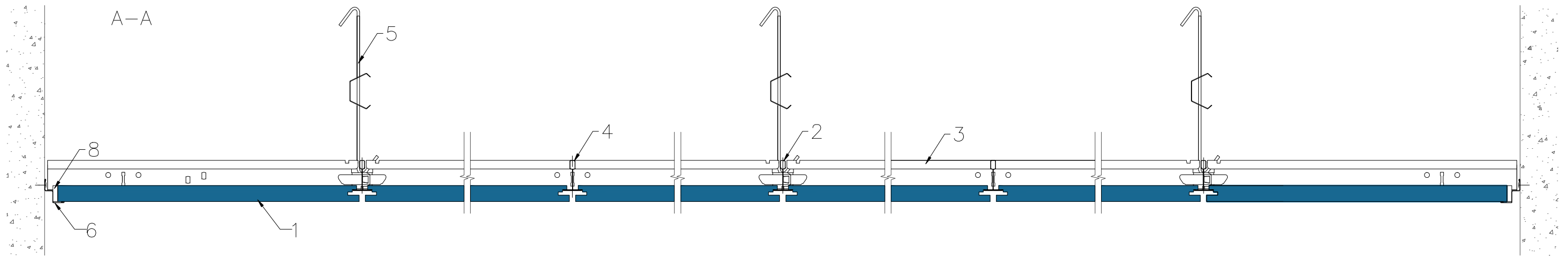


1. Tile ROCKFON, edge M
2. Mainrunner T24 C/H38 3600 white
3. Cross Tee T24 C38 1200 white
4. Cross Tee T24 C38 600 white
5. Adjustable hanger
6. Shadow trim RFN1015
7. SMF clamp
8. Wedge



All screws and other fastenings shown are indicative and illustrative only.
Specific fasteners should be chosen dependent on substrates and materials being used.

Information:	Date: 04.03.2014	Drawing Type:	
	Drawing No.: 17.1.1.Rockfon T24 M	Drawn by:	Scale: 1:5
	Contact Information:		

We kindly draw your attention to the fact that the above drawings should be considered as guidelines and therefore are without responsibility on the part of Rockfon.

Rockfon[®]