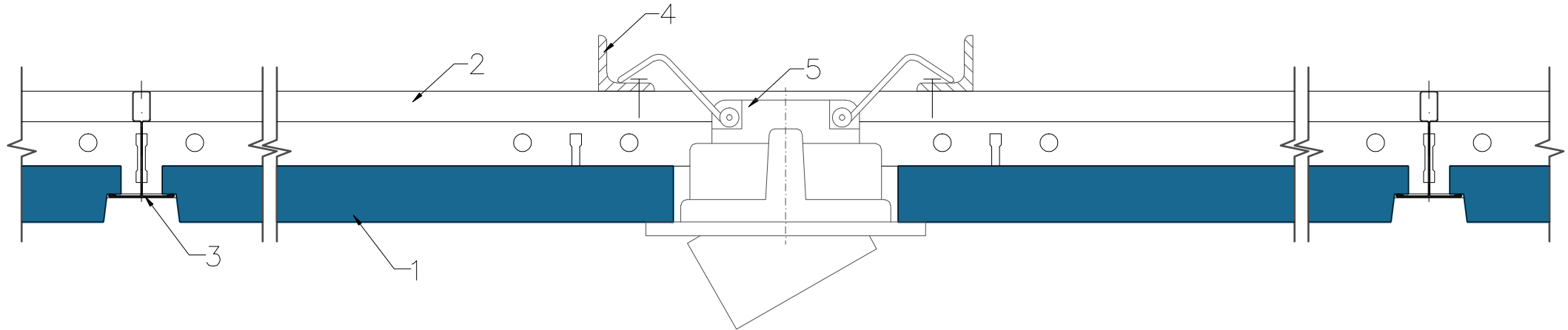


A-A

1. Tile ROCKFON, edge E
2. Mainrunner T24 C/H38 3600 white
3. Cross Tee T24 C38 1200 white
4. Metal or similar support arm
5. Light armature



This solution is applicable for lights (services) weighing <3kg.
 Support light using two support arms, supported on bulb of grid components. Cut hole in the tile to match size and shape of light. If using "out of balance" light, ensure overhang is in line with support arms.

All screws and other fastenings shown are indicative and illustrative only.
 Specific fasteners should be chosen dependent on substrates and materials being used.

Information: Light installation – downlight integrated with support arms	Date: 08.04.2014		Drawing Type:	
	Drawing No.: 4.1.6.Lighting–ventilation–etc.		Drawn by:	Scale: 1:2
	Contact Information:			

We kindly draw your attention to the fact that the above drawings should be considered as guidelines and therefore are without responsibility on the part of Rockfon.

