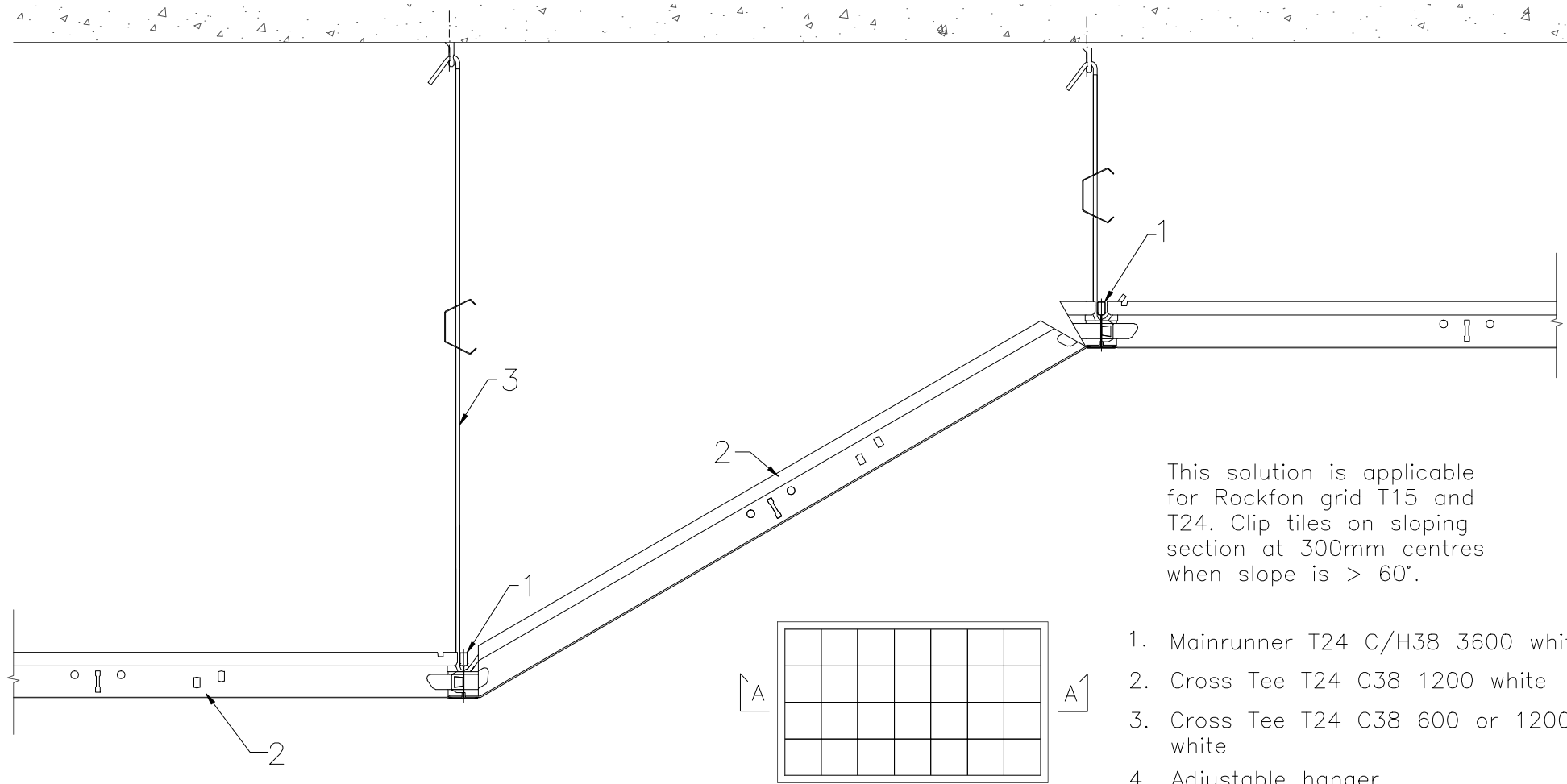


A-A



This solution is applicable for Rockfon grid T15 and T24. Clip tiles on sloping section at 300mm centres when slope is > 60°.

1. Mainrunner T24 C/H38 3600 white
2. Cross Tee T24 C38 1200 white
3. Cross Tee T24 C38 600 or 1200 white
4. Adjustable hanger

Information:
 Level change sloping 0-70°

We kindly draw your attention to the fact that the above drawings should be considered as guidelines and therefore are without responsibility on the part of Rockfon.

Date:
 10.05.2014

Drawing No.:
 5.2.1.Level-change

Contact Information:

Drawing Type:

Drawn by:
 Scale:
 1:5

