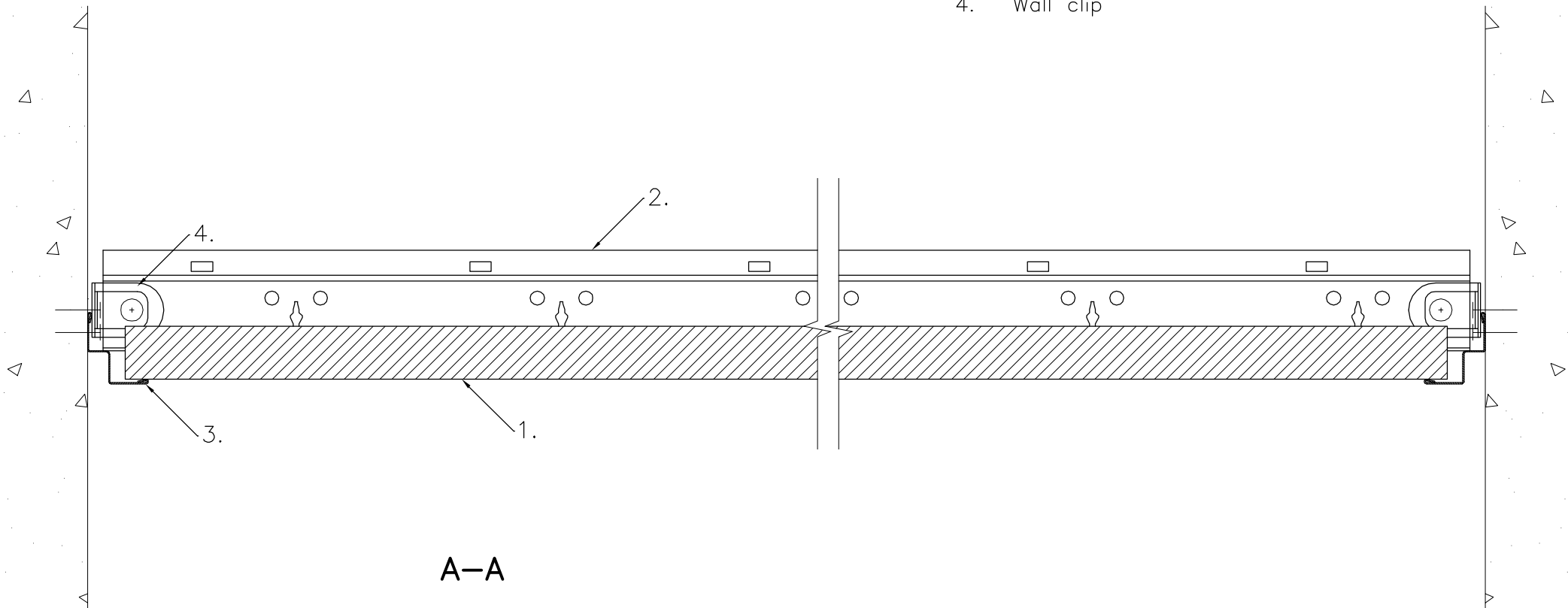


1. Tile ROCKFON SONAR D1/D2
2. Main runner DX24 3700mm
3. Shadow trim
4. Wall clip

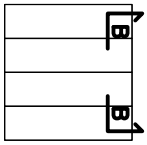


A-A

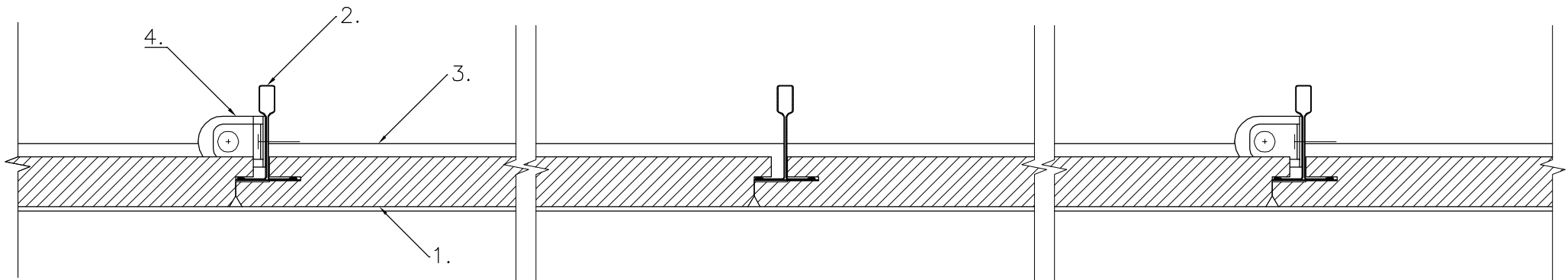
All screws and other fastenings shown are indicative and illustrative only.
 Specific fasteners should be chosen dependent on substrates and materials being used.

Information: Corridor D-edge 1800x600 Shadow trim	Date:		Drawing Type:	
	Drawing No.:		Drawn by:	Scale:
	Contact Information:			

We kindly draw your attention to the fact that the above drawings should be considered as guidelines and therefore are without responsibility on the part of Rockfon.



1. Tile ROCKFON SONAR D1/D2
2. Main runner DX24 3700mm
3. Shadow trim
4. Wall clip



B-B

All screws and other fastenings shown are indicative and illustrative only.
Specific fasteners should be chosen dependent on substrates and materials being used.

Information: Corridor D-edge 1800x600 Shadow trim	Date:		Drawing Type:	
	Drawing No.:		Drawn by:	Scale:
	Contact Information:			

We kindly draw your attention to the fact that the above drawings should be considered as guidelines and therefore are without responsibility on the part of Rockfon.