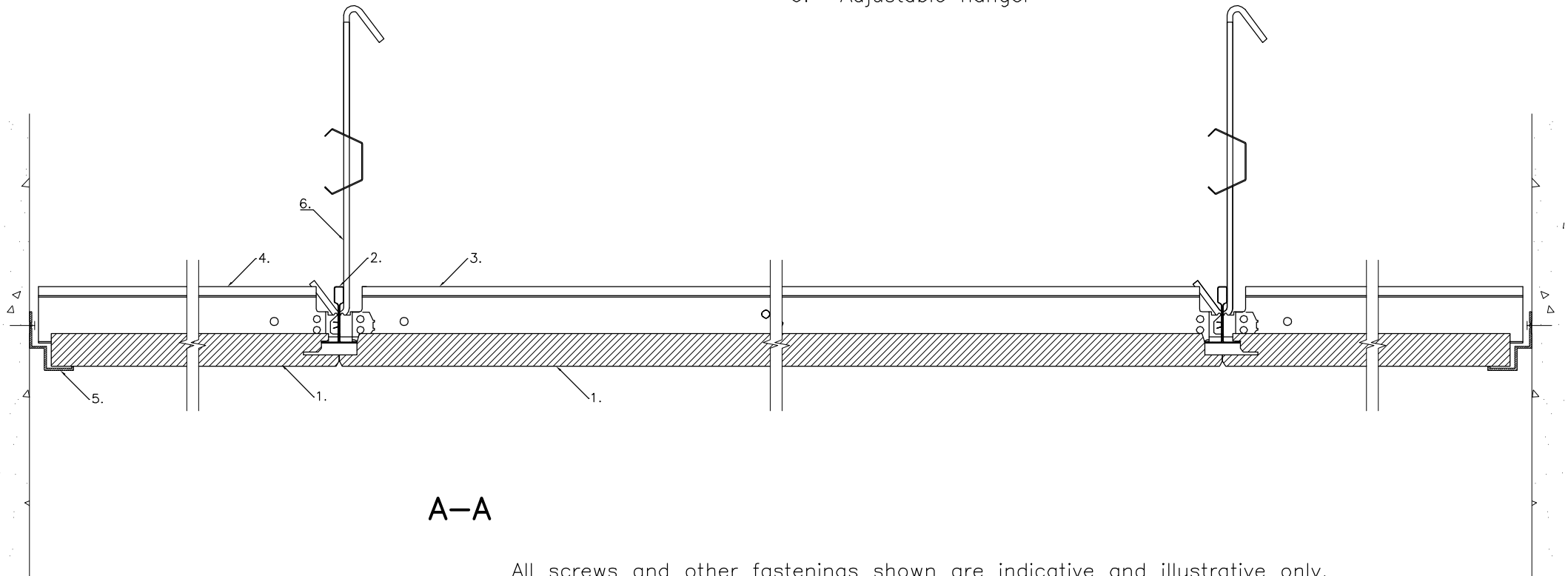


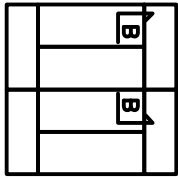
1. Tile ROCKFON SONAR X
2. Main runner DX24 3700mm
3. Cross tee DX24 H8Q
4. Cross tee DX24
5. Alu shadow trim
6. Adjustable hanger



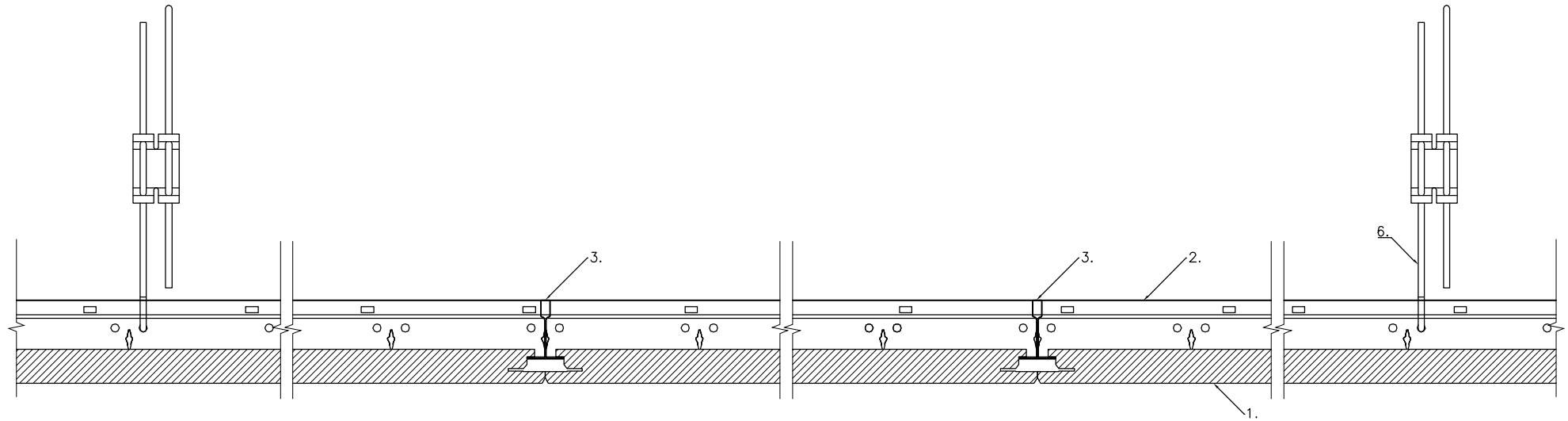
All screws and other fastenings shown are indicative and illustrative only.
Specific fasteners should be chosen dependent on substrates and materials being used.

Information: Corridor X-edge 1500x600 Frieze X-edge 1200x450, Alu shadow trim	Date:		Drawing Type:	
	Drawing No.:		Drawn by:	Scale:
	Contact Information:			

We kindly draw your attention to the fact that the above drawings should be considered as guidelines and therefore are without responsibility on the part of Rockfon.



1. Tile ROCKFON SONAR X
2. Main runner DX24 3700mm
3. Cross tee DX24 H8Q
5. Alu shadow trim
6. Adjustable hanger



B-B

All screws and other fastenings shown are indicative and illustrative only.
Specific fasteners should be chosen dependent on substrates and materials being used.

Information:
Corridor X-edge 1500x600
Frieze X-edge 1200x450, Alu shadow trim

We kindly draw your attention to the fact that the above drawings should be considered as guidelines and therefore are without responsibility on the part of Rockfon.

Date:	Drawing Type:	
Drawing No.:	Drawn by:	Scale:
Contact Information:		

