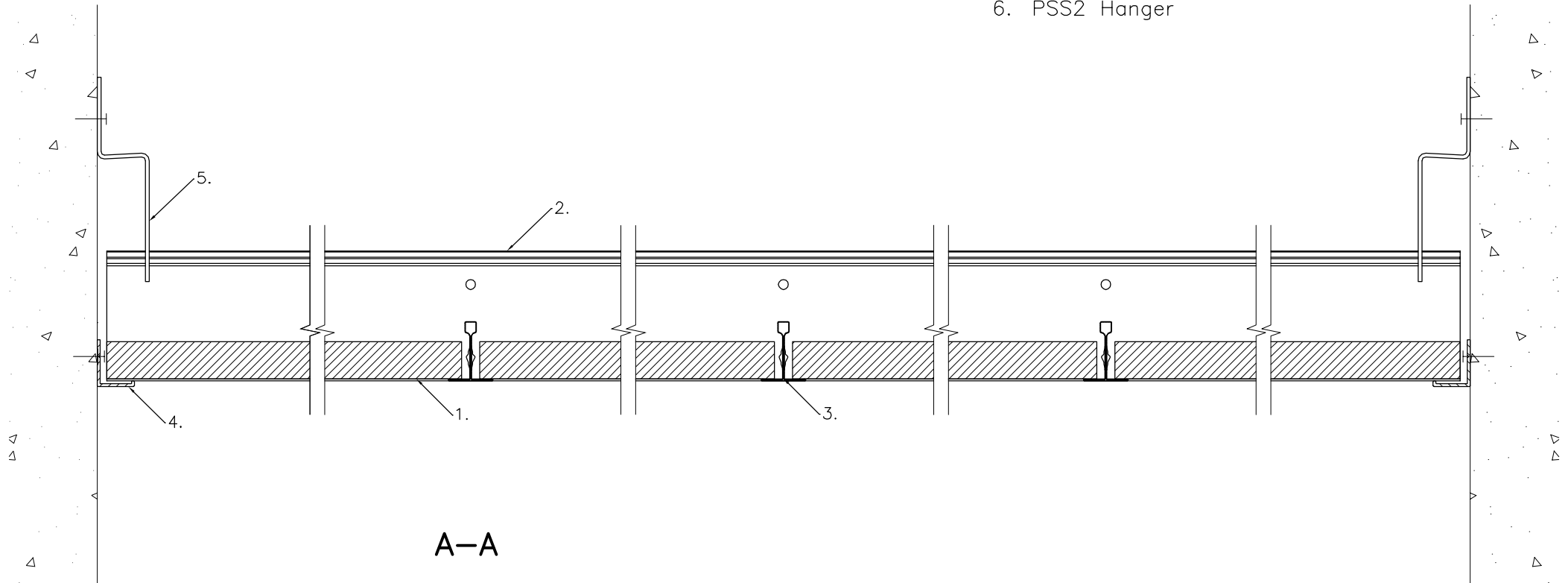
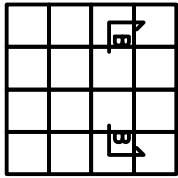


1. Tile ROCKFON SONAR A
2. Main Runner DXE24ZG360W
3. Cross tee DX24 1200mm
5. Alu perimeter angle trim
6. PSS2 Hanger

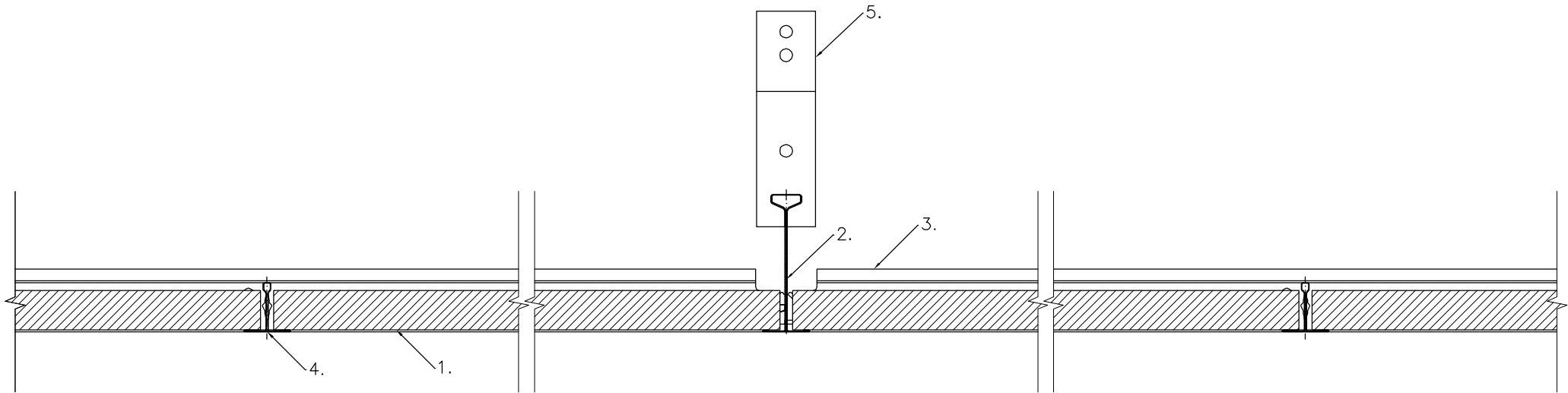


All screws and other fastenings shown are indicative and illustrative only.
 Specific fasteners should be chosen dependent on substrates and materials being used.

Information: Corridor MaxiSpan A-edge 600x600 Alu perimeter angle trim	Date:		Drawing Type:	
	Drawing No.:		Drawn by:	Scale:
	Contact Information:			



1. Tile ROCKFON SONAR A
2. Main Runner DXE24ZG360W
3. Cross tee DX24 1200mm
4. Cross tee DX24 600mm
6. PSS2 Hanger



B-B

All screws and other fastenings shown are indicative and illustrative only.
Specific fasteners should be chosen dependent on substrates and materials being used.

Information: Corridor MaxiSpan A-edge 600x600 Alu perimeter angle trim	Date:		Drawing Type:	
	Drawing No.:		Drawn by:	Scale:
	Contact Information:			

We kindly draw your attention to the fact that the above drawings should be considered as guidelines and therefore are without responsibility on the part of Rockfon.